

2160p30/1440p30/1080p60 42mm by 42mm
single board EX-SDI camera (4K/UHD)



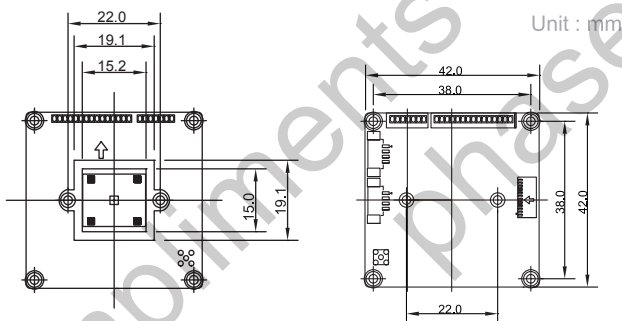
HD-SDI **EX-SDI** **CVBS**



Features

- 1/1.7" 12MP Sony CMOS sensor
- 2160p30(25)fps, 1440p30(25)fps, 1080p30(25)fps, 1080p60(50)fps, 720p60(50)fps
- Digital Noise Reduction(2D+3D)
- Privacy Mask Function
- High Light Compensation
- Intelligent Motion Detection
- Defog Function
- Supports Pelco-P / Pelco-D / VISCA
- Video Out : HD-SDI, EX-SDI 1.0, EX-SDI 2.0, EX-SDI 2.1, CVBS
- Dimension : 42mm X 42mm X 1.2mm

Dimensions



Specifications

Image Sensor	1/1.7" Sony CMOS Sensor
Total Pixels	4,168(H) x 3,062(V) = 12.76M Pixels
Active Pixels	4,120(H) x 2,168(V) = 8.93M Pixels
Scanning System	Progressive Sacth
Resolution	Digital : 2160p30(25)fps, 1440p30(25)fps, 1080p30(25)fps, 1080p60(50)fps, 720p60(50)fps Analog : 700TVL
Min. Illumination	Color(1/30s) : 2.75 lux, BW(1/30s) : 1.2 lux Color DSS(1/7.5s) : 0.7 lux, BW(1/7.5s) : 0.3 lux
Video Output	HD : HD-SDI, EX-SDI 1.0, EX-SDI 2.0, EX-SDI 2.1 Analog SD : CVBS
Lens	Option
Brightness	0 ~ 20 steps
Shutter Speed	1/30(25) ~ 1/10,000 sec
DSS	Off, 2x, 3x, 4x, 5x, 6x, 7x, 8x, 9x, 10x, 12x, 15x
AGC	Off / On (Analog 0dB~27dB, Digital 0X~33X)
BLC	Off / BLC
Day&Night	Auto / Day / Night / Ext-in
White Balance	Auto / One Push / Manual / Indoor / Outdoor
HLC	Off / On
DNR	Auto / Low / Middle / High
Mirror	Off / H / V / H&V
Sharpness	0 ~ 20 steps
ACE	Off / Manual (On)
Defog	Off / Manual (On)
Freeze	Off / On
Digital Zoom	Off / Max 0.0x ~ 6.0x
Privacy Mask	Max. 8 Areas
Motion Detection	Max. 4 Areas
Defect Detection	On
System	NTSC / PAL
Communication	ID : 1 ~ 255 Baud Rate : 2400 / 4800 / 9600 / 19200 / 38400 / 57600 / 115200 Protocol : Pelco-P / Pelco-D / VISCA
Language	English / Simplified Chinese / Traditional Chinese / Japanese
Power Source	DC12V±10%
Power Consumption	450mA
Power Input	Connector
Video Output	MMCX Connector
Operating Temperature	-10℃ ~ +40℃ (Humidity : 0%RH ~ 80%RH)
Storage Temperature	-20℃ ~ +60℃ (Humidity : 0%RH ~ 90%RH)
Dimensions	42(W) X 42(H) X 1.2(D)