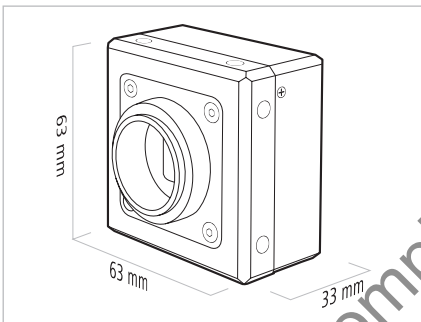


HXC13

Facts and Data

Digital Monochrome High Speed Camera, 1.3 Megapixel, CameraLink®



Baumer Optronic GmbH
 Badstrasse 30
 DE-01454 Radeberg, Germany
 Phone +49 (0)3528 4386 0
 Fax +49 (0)3528 4386 86
 sales@baumeroptronic.com
 www.baumer.com/cameras

Sensor Information

| | |
|-------------------|----------------------|
| Model Name | LUPA-1300-2 |
| Type | 1.4" high speed CMOS |
| Native Resolution | 1280 × 1024 pixels |
| Exposure Time | 2 μsec ... 1 sec |

Acquisition Formats

| Image Formats | | Base | 640 × 480 pixels | max. 405.0 fps |
|---------------|--------|--------------------|------------------|-----------------|
| 0 | Base | 1280 × 1024 pixels | | max. 110.0 fps |
| 1 | Base | 640 × 480 pixels | | max. 405.0 fps |
| 2 | Base | 1280 × 1024 pixels | | max. 110.0 fps |
| 3 | Base | 1280 × 1024 pixels | | max. 110.0 fps |
| 4 | Medium | 640 × 480 pixels | | max. 811.0 fps |
| 5 | Medium | 1280 × 1024 pixels | | max. 226.0 fps |
| 6 | Full | 640 × 480 pixels | | max. 1599.0 fps |
| 7 | Full | 1280 × 1024 pixels | | max. 432.0 fps |

| | |
|---------------|---|
| Pixel Formats | Mono8, Mono10 |
| Partial Scan | True Partial Scan, Region of Interest (ROI) arbitrary |

Image Pre-processing

| | |
|-----------------|--|
| Analog Controls | Gain (Digital 1-4 times, 1/1024 steps), Offset (0 ... 1023 LSB 14 bit) |
| Color Modes | Mono |

Camera Features

| | |
|-----------------|------------------------|
| Synchronization | Free running, Trigger |
| Trigger Sources | FrameGrabber |
| Digital output | Strobe, opto decoupled |

Interfaces and Connectors

| | |
|---------------------------|--|
| Data Interface | CameraLink® Base and Full, Transfer rate up to 680 MBytes/sec 2x Connector MDR-26 |
| Process / Power Interface | 6-pin Hirose |

Mechanical Data

| | |
|------------|-----------------|
| Housing | Aluminum, IP40 |
| Lens Mount | C-Mount |
| Dimensions | 63 × 63 × 46 mm |
| Weight | 247 g |

Electrical Data

| | |
|-------------------|-----------------|
| Power Supply | 8 ... 24 V DC |
| Power Consumption | approx. 5 Watts |

Environmental Data

| | |
|-----------------------|---------------------------------------|
| Operating Temperature | +5 °C ... +50 °C (+41 °F ... +121 °F) |
| Humidity | 10% ... 90% non condensing |