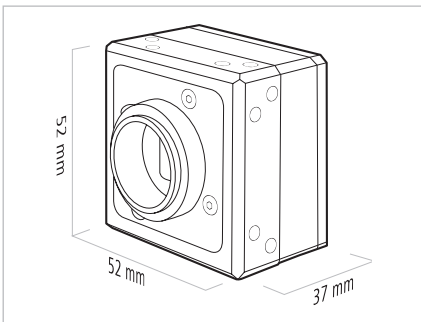


HXC40

Facts and Data

Digital Monochrome Matrix Camera, 4 Megapixel, CameraLink®



Baumer Optronic GmbH
 Badstrasse 30
 DE-01454 Radeberg, Germany
 Phone +49 (0)3528 4386 0
 Fax +49 (0)3528 4386 86
 sales@baumeroptronic.com
 www.baumer.com/cameras

Sensor Information

Model Name	CMOSIS CMV-4000
Type	1" progressive scan CMOS
Native Resolution	2048 × 2048 pixels
Exposure Time	20 µsec ... 1 sec

Acquisition Formats

Image Formats	Full Frame	2048 × 2048 pixels	max. 180.0 fps
	Binning 2x1	1024 × 2048 pixels	max. 180.0 fps
	Subsampling 2x2	1024 × 1024 pixels	max. 357.0 fps
Pixel Formats	Mono8, Mono10, Mono12		
Partial Scan	True Partial Scan, Region of Interest (ROI) arbitrary		

Image Pre-processing

Analog Controls	Offset (0 ... 255 LSB)
Color Modes	Mono

Camera Features

Internal Buffer	256 MBytes (max. 60 images)
Synchronization	Free running, Trigger
Trigger Sources	Hardware, Software, FrameGrabber
Trigger Delay	0 ... 2 sec, Tracking and buffering of up to 512 trigger signals
Sequencer	Automated control for series of images using different sets of parameters
Sequencer Characteristics	up to 128 sets of parameters, up to 4 billion loop passes, up to 4 billion repetitions of sets of parameters, up to 4 billion images per trigger event
Sequencer Parameters	Exposure Time, Gain Factor, Output
Digital I/Os	3 input lines (with Debouncer), 3 output lines

Interfaces and Connectors

Data Interface	CameraLink® Base, Medium und Full Connector: 2x Standard SDR26 (Mini CL)
Process Interface	M8 / 8 pins
Power Interface	M8 / 3 pins

Mechanical Data

Housing	Aluminum, IP40
Lens Mount	C-Mount, F-Mount
Dimensions	52 × 52 × 37 mm
Weight	185 g

Electrical Data

Power Supply	9.6 ... 30 V DC
Power Consumption	approx. 5.5 Watts

Environmental Data

Operating Temperature	+5 °C ... +60 °C (+41 °F ... +131 °F)
Humidity	10% ... 90% non condensing