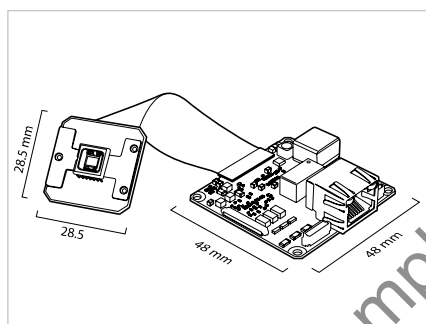
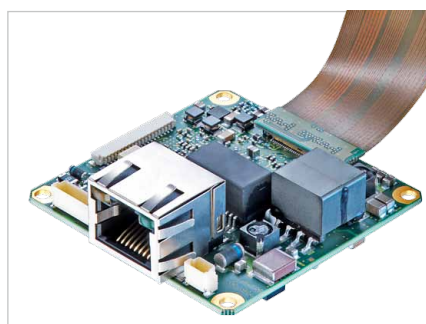


# MXG02

## Facts and Data

### Digital Monochrome Board Level Camera, VGA, Gigabit Ethernet



**GiGE**  
VISION  
**GEN<I>CAM**



Baumer Optronic GmbH  
Badstrasse 30  
DE-01454 Radeberg, Germany  
Phone +49 (0)3528 4386 0  
Fax +49 (0)3528 4386 86  
sales@baumeroptronic.com  
www.baumer.com/cameras

#### Sensor Information

Model Name	SONY® ICX618
Type	1/4" progressive scan CCD, EXview HAD technology
Native Resolution	656 × 490 pixels
Exposure Time	4 µsec ... 60 sec

#### Acquisition Formats

Image Formats	Full Frame	656 × 490 pixels	max. 160.0 fps
Pixel Formats	Mono8, Mono12, Mono12 Packed		
Partial Scan	True Partial Scan, Region of Interest (ROI) arbitrary		

#### Image Pre-processing

Analog Controls	Gain (0 ... 26 dB), Offset (0 ... 1023 LSB   14 bit)
Color Models	Mono

#### Camera Features

Internal Buffer	120 MB (max. 30 images)
Synchronization	Free running, Trigger
Trigger Sources	Hardware, Software, ActionCommand, All or Off
Trigger Delay	0 ... 2 sec, Tracking and buffering of up to 512 triggers
Sequencer	Automated control for series of images using different sets of parameters
Sequencer Characteristics	up to 128 sets of parameters, up to 65536 loop passes, up to 65536 repetitions of sets of parameters, up to 65536 images per trigger event
Sequencer Parameters	Exposure Time, Gain Factor, Output Line, ROI Offset x, ROI Offset y
Digital I/Os	1 input line, 3 output lines

#### Interfaces and Connectors

Data Interface	Gigabit Ethernet, Transfer rate 1000 Mbts/sec Fast Ethernet, Transfer Rate 100 Mbts/sec Connector: 8P8C Modular Jack (RJ45)
Process Interface	JSTBM08B-SRSS-TB 8 pins
Power Interface	JSTBM03B-SRSS-TB 3 pins

#### Mechanical Data

Housing	Board Level Camera without housing
Lens Mount	C-Mount (Adapter)
Dimensions	Sensorprint 28,5 x 28,5 Systemprint 48,0 x 48,0
Weight	30 g (without Optics Adapter)

#### Electrical Data

Power Supply	12 ... 24 V DC (external Power Supply) 36 ... 57 V DC (Power over Ethernet)
Power Consumption	approx. 3.4 Watts @ 12 V DC and 160.0 fps approx. 3.7 Watts @ 48 V DC (PoE) and 160.0 fps

#### Environmental Data

Storage Temperature	-10 °C ... +70 °C
Operating Temperature	Depends on the thermal encapsulation
Device Temperature	T <sub>max</sub> = 70 °C @ Measurement Point
Humidity	10% ... 90% non condensing