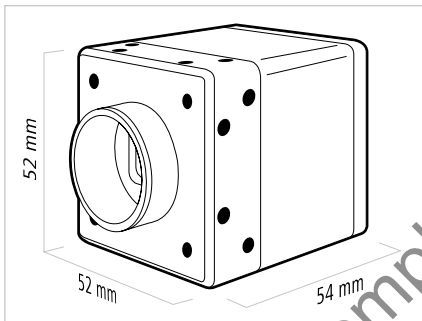


# SXC40

## Facts and Data



**CAMERA**  
**Link**

**Kodak**  
Image Sensors



Baumer Optronic GmbH  
Badstrasse 30  
DE-01454 Radeberg, Germany  
Phone +49 (0)3528 4386 0  
Fax +49 (0)3528 4386 86  
sales@baumeroptronic.com  
www.baumer.com/cameras

### Digital Monochrome Matrix Camera, 4 Megapixel, CameraLink®

#### Sensor Information

Model Name	Truesense Imaging KAI-04050
Type	1" interline progressive scan CCD
Native Resolution	2336 × 1752 pixels
Exposure Time	7 µsec ... 1 sec

#### Acquisition Formats

Image Formats	Full Frame	2336 × 1752 pixels	max. 32.0 fps
	Binning 2x2	1168 × 876 pixels	max. 57.0 fps
	Binning 1x2	2336 × 876 pixels	max. 57.0 fps
	Binning 2x1	1168 × 1752 pixels	max. 32.0 fps
Pixel Formats	Mono8, Mono10, Mono12		
Partial Scan	True Partial Scan, Region of Interest (ROI) arbitrary		

#### Image Pre-processing

Analog Controls	Gain (0 ... 26 dB), Offset (0 ... 1023 LSB   14 bit)
Color Modes	Mono

#### Camera Features

Internal Buffer	256 MBytes (max. 60 images)
Synchronization	Free running, Trigger
Trigger Sources	Hardware, Software, FrameGrabber
Trigger Delay	0 ... 2 sec, Tracking and buffering of up to 512 trigger signals
Digital I/Os	3 input lines (with Debouncer), 3 output lines

#### Interfaces and Connectors

Data Interface	CameraLink® Base, Transfer rate 255 MBytes/sec Connector: Standard MDR26
Process Interface	M8 / 8 pins
Power Interface	M8 / 3 pins

#### Mechanical Data

Housing	Aluminum, IP40
Lens Mount	C-Mount
Dimensions	52 × 52 × 54 mm
Weight	230 g

#### Electrical Data

Power Supply	8 ... 30 V DC
Power Consumption	approx. 8.5 Watts

#### Environmental Data

Operating Temperature	+5 °C ... +60 °C (+41 °F ... +131 °F)
Humidity	10% ... 90% non condensing