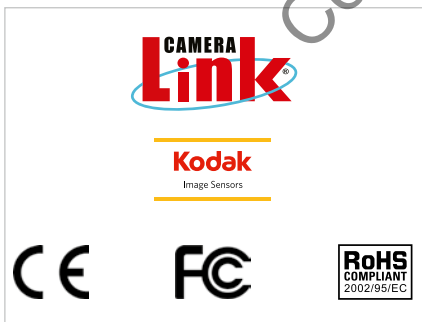
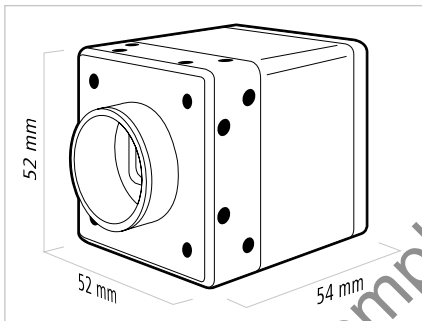
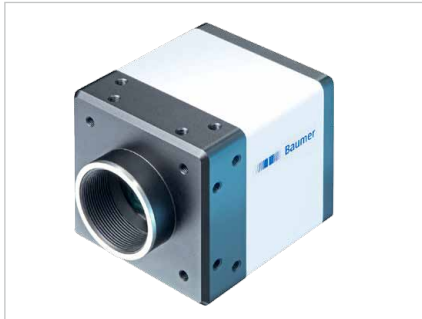


SXC80 v2 Facts and Data



Baumer Optronic GmbH
 Badstrasse 30
 DE-01454 Radeberg, Germany
 Phone +49 (0)3528 4386 0
 Fax +49 (0)3528 4386 86
 sales@baumeroptronic.com
 www.baumer.com/cameras

Digital Monochrome Matrix Camera, 8 Megapixel, CameraLink®

Sensor Information

Model Name	Truesense Imaging KAI-08050
Type	4/3" interline progressive scan CCD
Native Resolution	3296 × 2472 pixels
Exposure Time	10 µsec ... 1 sec

Acquisition Formats

Image Formats	Full Frame	3296 × 2472 pixels	max. 16.0 fps
	Binning 2x2	1648 × 1236 pixels	max. 28.0 fps
	Binning 1x2	3296 × 1236 pixels	max. 28.0 fps
	Binning 2x1	1648 × 2472 pixels	max. 16.0 fps
Pixel Formats	Mono8, Mono10, Mono12		
Partial Scan	True Partial Scan, Region of Interest (ROI) arbitrary		

Image Pre-processing

Analog Controls	Gain (0 ... 26 dB), Offset (0 ... 1023 LSB 14 bit)
Color Modes	Mono

Camera Features

Internal Buffer	256 MBytes (max. 30 images)
Synchronization	Free running, Trigger
Trigger Sources	Hardware, Software, FrameGrabber
Trigger Delay	0 ... 2 sec, Tracking and buffering of up to 512 trigger signals
Digital I/Os	3 input lines (with Debouncer), 3 output lines

Interfaces and Connectors

Data Interface	CameraLink® Base, Transfer rate 255 MBytes/sec Connector: Standard SDR26
Process Interface	M8 / 8 pins
Power Interface	M8 / 3 pins

Mechanical Data

Housing	Aluminum, IP40
Lens Mount	C-Mount, F-Mount
Dimensions	52 × 52 × 54 mm
Weight	230 g

Electrical Data

Power Supply	9.6 ... 30 V DC
Power Consumption	approx. 9 Watts

Environmental Data

Operating Temperature	+5 °C ... +60 °C (+41 °F ... +131 °F)
Humidity	10% ... 90% non condensing