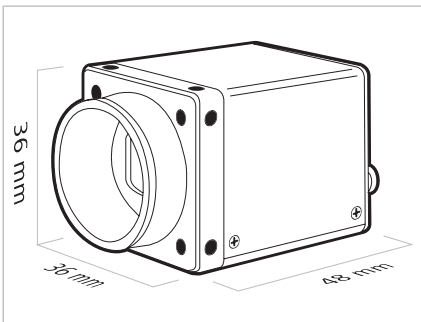


# TXG08

## Facts and Data

### Digital Monochrome Matrix Camera, 0.8 Megapixels, Gigabit Ethernet



Baumer Optronic GmbH  
 Badstrasse 30  
 DE-01454 Radeberg, Germany  
 Phone +49 (0)3528 4386 0  
 Fax +49 (0)3528 4386 86  
 sales@baumeroptronic.com  
 www.baumer.com/cameras

#### Sensor Information

|                   |                                     |
|-------------------|-------------------------------------|
| Model Name        | SONY® ICX204                        |
| Type              | 1/3" interline progressive scan CCD |
| Native Resolution | 1032 × 776 pixels                   |
| Exposure Time     | 4 μsec ... 60 sec                   |

#### Acquisition Formats

| Image Formats |   |                   |               |
|---------------|---|-------------------|---------------|
| Image Formats | Full Frame HQ   | 1032 × 776 pixels | max. 14.0 fps |
|               | Full Frame  | 1032 × 776 pixels | max. 28.0 fps |
|               | Binning 2x2 HQ  | 516 × 388 pixels  | max. 24.0 fps |
|               | Binning 2x2   | 516 × 388 pixels  | max. 49.0 fps |
|               | Binning 1x2 HQ  | 1032 × 388 pixels | max. 24.0 fps |
|               | Binning 1x2   | 1032 × 388 pixels | max. 49.0 fps |
| Pixel Formats | Binning 2x1 HQ  | 516 × 776 pixels  | max. 14.0 fps |
|               | Binning 2x1   | 516 × 776 pixels  | max. 28.0 fps |
| Pixel Formats | Mono8, Mono12, Mono12 Packed                          |                   |               |
| Partial Scan  | True Partial Scan, Region of Interest (ROI) arbitrary |                   |               |

#### Image Pre-processing

|                 |   |
|-----------------|---|
| Analog Controls | Gain (0 ... 20 dB), Offset (0 ... 255 LSB   12 bit) |
| Color Models    | Mono  |

#### Camera Features

|                           |  |
|---------------------------|--|
| Internal Buffer           | 32 MBytes (max. 7 images)  |
| Synchronization           | Free running, Trigger, Sequencer   |
| Trigger Sources           | Hardware, Software, ActionCommand  |
| Trigger Delay             | 0 ... 2 sec, Tracking and buffering of up to 512 trigger signals   |
| Sequencer                 | Automated control for series of images using different sets of parameters  |
| Sequencer Characteristics | up to 256 sets of parameters, up to 4 billion loop passes, up to 4 billion repetitions of sets of parameters, up to 4 billion images per trigger event |
| Sequencer Parameters      | Exposure Time, Gain Factor   |
| Digital I/Os              | 1 input line (with Debouncer), 1 output line   |

#### Interfaces and Connectors

|                   |  |
|-------------------|--|
| Data Interface    | Gigabit Ethernet, Transfer rate 1000 Mbits/sec<br>Connector: 8P8C Modular Jack (RJ45), screw lock type |
| Process Interface | M8 / 4 pins  |
| Power Interface   | M8 / 3 pins  |

#### Mechanical Data

|            |                 |
|------------|-----------------|
| Housing    | Aluminum, IP40  |
| Lens Mount | C-Mount         |
| Dimensions | 36 × 36 × 48 mm |
| Weight     | < 90 g          |

#### Electrical Data

|                   |                 |
|-------------------|-----------------|
| Power Supply      | 8 ... 30 V DC   |
| Power Consumption | approx. 4 Watts |

#### Environmental Data

|                       |                                       |
|-----------------------|---------------------------------------|
| Operating Temperature | +5 °C ... +50 °C (+41 °F ... +121 °F) |
| Humidity              | 10% ... 90% non condensing            |