



## **CEI Machine Vision Camera Enclosure IP67 29mm Series Round**

As a leading innovator in the Machine Vision Industry, CEI is proud to introduce our new line of Machine Vision Camera Enclosures, Cables, and Accessories for demanding vision applications.

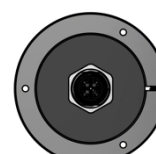
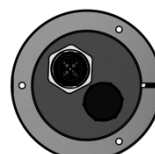
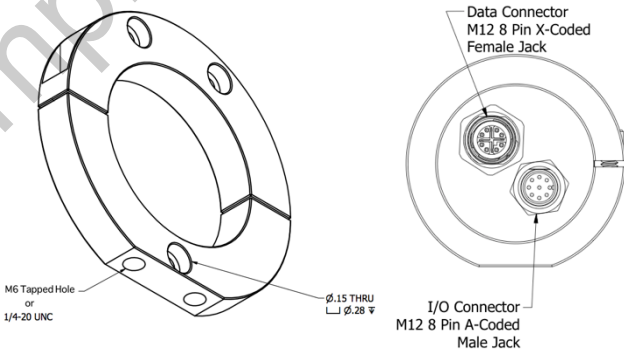
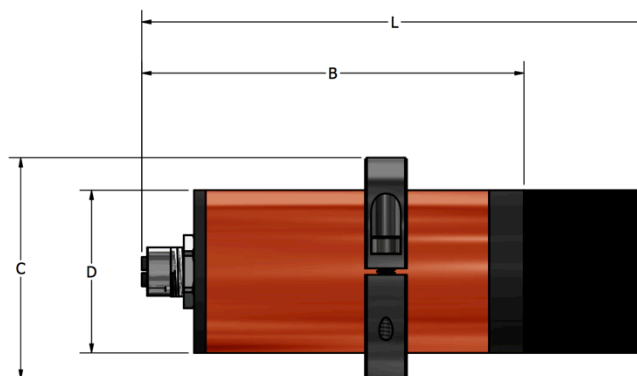
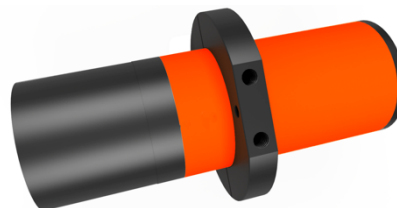
### **IP67 29mm Series Camera Round Enclosure Key Features**

- CEI Integrated Connector Design ( no cord grips )
- IP67 protection
- Universal design for popular 29mm camera models
- Excellent heat dissipation
- Enclosure tailored for specific Camera & Optics
- Adjustable Mount with 2 tapped holes included
- High quality (easy to replace) windows by Midwest Optical
- Lightweight low-profile design
- Type 2 anodizing
- Options: Mounts, Air Curtains, Windows & Filters, Cables
- Options: Custom Sizes, lengths, and focusing solutions.
- Options: Complete Solutions (Camera, Enclosure, Cabling)
- Competitive pricing
- Made in USA, Patent Pending



### **Enclosure Specs (See Appendix "A" for part numbers)**

**Camera Size:** 29mm square mount machine vision  
**Optics:** Supports a wide range of C-Mount optics  
**Window:** Midwest Optical 2mm Borofloat glass – AR coated  
**Interface Connectors:** M12 X-Code Ethernet Female  
**Optional Interface:** M12 A-Code I/O Male  
**Mounting:** Qty. 2, M6 or 1/4-20 UNC tapped holes with 19.05mm (3/4") hole spacing, adjustable ring mount  
**Sealing:** IP67  
**Material:** 6061 Aluminum  
**Coating:** Type 2 anodized  
**Overall Length (L):** Varies, See Appendix "A"  
**Body Length (B):** 90 mm (incl. interface conn.)  
**Height / Width (D):** 44.5 mm round (body)  
**Mount diameter (C):** 69 mm  
**Window Diameter:** 42 mm (48mm with 44mm cover)  
**Weight:** 370g (typical weight fully assembled W/ Camera)



**Call Components Express, Inc. at 630-257-0605 for Ordering Information.**

## Appendix "A" CEI IP67 29mm Series Camera Round:

CEI "Small" round 29mm IP67 Gig-E Enclosure for up to 38mm dia. C-mount lenses, standard adjustable ring mount with 2x tapped mounting holes

| Part Number      | Description ( <b>enclosure &amp; mount only, lens cover required - see below</b> ) |
|------------------|--|
| <b>EM-29R-38</b> | 29mm Round IP67 enclosure, 38mm max. lens dia., M6 mount holes                     |
| <b>EN-29R-38</b> | 29mm Round IP67 enclosure, 38mm max. lens dia., 1/4-20 UNC mount holes             |
| <b>EM-29R-44</b> | 29mm Round IP67 enclosure, 44mm max. lens dia., M6 mount holes                     |
| <b>EN-29R-44</b> | 29mm Round IP67 enclosure, 44mm max. lens dia., 1/4-20 UNC mount holes             |

CEI "Small" round 29mm IP67 Enclosure for up to 38mm dia. C-mount lenses with Gig-E and I/O connectors, standard adjustable ring mount with 2x tapped holes

| Part Number       | Description ( <b>enclosure &amp; mount only, lens cover required see below</b> ) |
|-------------------|--|
| <b>EM-29RI-38</b> | 29mm Round IP67 enclosure, 38mm max. lens dia., M6 mount holes                   |
| <b>EN-29RI-38</b> | 29mm Round IP67 enclosure, 38mm max. lens dia., 1/4-20 UNC mount holes           |
| <b>EM-29RI-44</b> | 29mm Round IP67 enclosure, 44mm max. lens dia., M6 mount holes                   |
| <b>EN-29RI-44</b> | 29mm Round IP67 enclosure, 44mm max. lens dia., 1/4-20 UNC mount holes           |

Lens Covers with 2mm Borofloat AR coated glass widows for CEI EM-29R series IP67 enclosures

| Part Number       | Description ( <b>lens cover only, enclosure required - see above</b> ) |
|-------------------|--|
| <b>EN-LC38-30</b> | 38mm max. lens dia., 30mm length                                       |
| <b>EN-LC38-36</b> | 38mm max. lens dia., 36mm length                                       |
| <b>EN-LC38-38</b> | 38mm max. lens dia., 38mm length                                       |
| <b>EN-LC38-44</b> | 38mm max. lens dia., 44mm length                                       |
| <b>EN-LC38-48</b> | 38mm max. lens dia., 48mm length                                       |
| <b>EN-LC38-50</b> | 38mm max. lens dia., 50mm length                                       |
| <b>EN-LC38-52</b> | 38mm max. lens dia., 52mm length                                       |

|                   |                                  |
|-------------------|----------------------------------|
| <b>EN-LC44-30</b> | 44mm max. lens dia., 30mm length |
| <b>EN-LC44-36</b> | 44mm max. lens dia., 36mm length |
| <b>EN-LC44-38</b> | 44mm max. lens dia., 38mm length |
| <b>EN-LC44-44</b> | 44mm max. lens dia., 44mm length |
| <b>EN-LC44-48</b> | 44mm max. lens dia., 48mm length |
| <b>EN-LC44-50</b> | 44mm max. lens dia., 50mm length |
| <b>EN-LC44-52</b> | 44mm max. lens dia., 52mm length |

Assembled lens cover dimension is 6mm shorter than specified lens cover length, for example a EN-29R-30 enclosure assembly with EN-LC38-36 lens cover will be 90mm + 36mm - 6mm = 120mm long (L)

Optional Light Brackets for CEI round 29mm IP67 Enclosure

| Part Number          | Description  |
|----------------------|--|
| <b>EN-LB29R-38-A</b> | Small light bracket (120.7mm x 85.8mm) mounting surface for 38mm lens cover  |
| <b>EN-LB29R-38-B</b> | Large light bracket (152.1mm x 133.4mm) mounting surface for 38mm lens cover |
| <b>EN-LB29R-44-A</b> | Small light bracket (120.7mm x 85.8mm) mounting surface for 44mm lens cover  |
| <b>EN-LB29R-44-B</b> | Large light bracket (152.1mm x 133.4mm) mounting surface for 44mm lens cover |

