

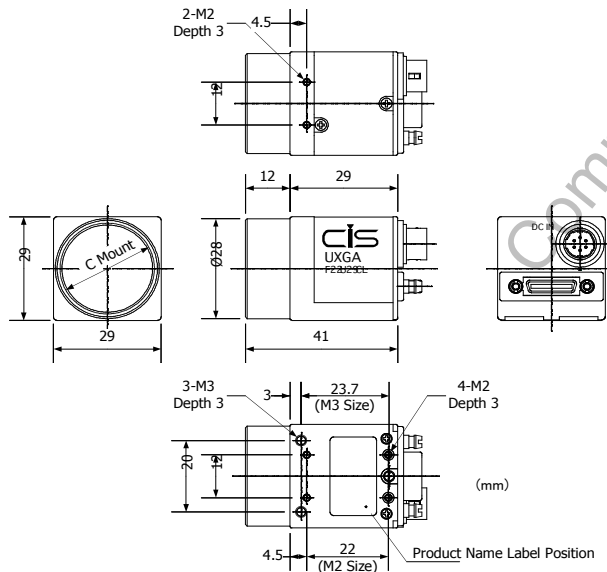
# VISION:mini™

## VCC-F22U29CL

1/1.8" UXGA COLOR  
CAMERA LINK



1/1.8" UXGA CCD COLOR VISION CAMERA AT 20 FPS



29mm <sup>2</sup>	COLOR RAW	MINI CL	EXT TRIGGER	PULSE TRIGGER	PARTIAL SCAN
-------------------	--------------	------------	----------------	------------------	-----------------

### SPECIFICATIONS

RESOLUTION	UXGA
SENSOR TYPE	1/1.8" SONY ICX 274AQ CCD
FRAME RATE	20 FPS
POWER CONSUMPTION	2.7W
INPUT VOLTAGE	DC+12V ±10% (Max 15V)
OPERATING CONDITIONS	0°C ~40°C @ 20~80% HUMIDITY
WEIGHT	APPROXIMATELY 50g
LENS MOUNT	C MOUNT
OPTICAL AXIS ACCURACY	Less than (Pixel Center) ±0.6mm
VIDEO OUTPUT SIGNAL	Digital 8/10bit (switchable)
NUMBER OF EFFECTIVE PIXELS	1628(H)×1236(V)
HORIZONTAL SCAN FREQUENCY	25.568KHz
PIXEL CLOCK	49.090 MHz
PIXEL SIZE	4.4×4.4(μm)
MINIMUM ILLUMINATION	F1.4 20lx
SENSITIVITY	F8.0 2000lx
STANDARD COLOR TEMPERATURE	3200°K
GAIN	0dB, +6dB, MANUAL (-1dB - +12dB)
ELECTRONIC SHUTTER	OFF-1/18000sec.
SYNC. METHOD	-
EXTERNAL TRIGGER	Fixed Shutter Exposure/Pulse Width Exposure
PARTIAL SCAN	N/A
GAMMA COMPENSATION	DEFAULT OFF (OPTIONAL 0.45)
CONTROL INTERFACE	CAMERA LINK/RS232C

**CIS**  
AMERICAS

701 Fifth Ave  
Suite 4620  
Seattle, WA 98104  
800-431-CISA  
www.cis-americas.com

## VCC-F22U29CL