

Piranha Color PC-30 (Preliminary)

Line Scan Cameras



Key Features

- 2k or 4k color trilinear sensor
- 3 pixel center to center spacing between pixel rows
- Spatially corrected output
- Forward and reverse scanning
- 32.3 kHz (2k80) or 17.6 kHz (4k80) maximum line rates
- Base or Medium Camera Link

Programmability

- Programmable flat field correction and white balancing
- Programmable gain and offset
- 8 or 12 bit output
- Adjustable integration time and line rate
- Test pattern, line statistics, and camera diagnostics

Typical Applications

- 100% print inspection
- Electronic manufacturing inspection
- Postal/parcel sorting
- High performance document scanning/image lift
- Full web inspection
- High-end industrial inspection
- Food inspection

Overview

Dream in color—high speed, high resolution, high fidelity color.

Piranha Color cameras deliver superb color fidelity at the fastest line rates and highest resolutions in the industry. DALSA's RGB trilinear sensor eliminates artifacts associated with prism cameras by placing a separate row of pixels for each color on a single sensor die. DALSA's advanced design minimizes distance between rows (equivalent to three pixels center to center) to minimize image artifacts due to synchronization.

The result is higher quality images at higher speed. With a single power supply and Camera Link interface, the camera is both easy to use and powerful, offering programmable gains and offsets for each color.

If you're dreaming in color, take a look at a Piranha color camera. Dreams do come true.

Available Q1 2007.

Specifications

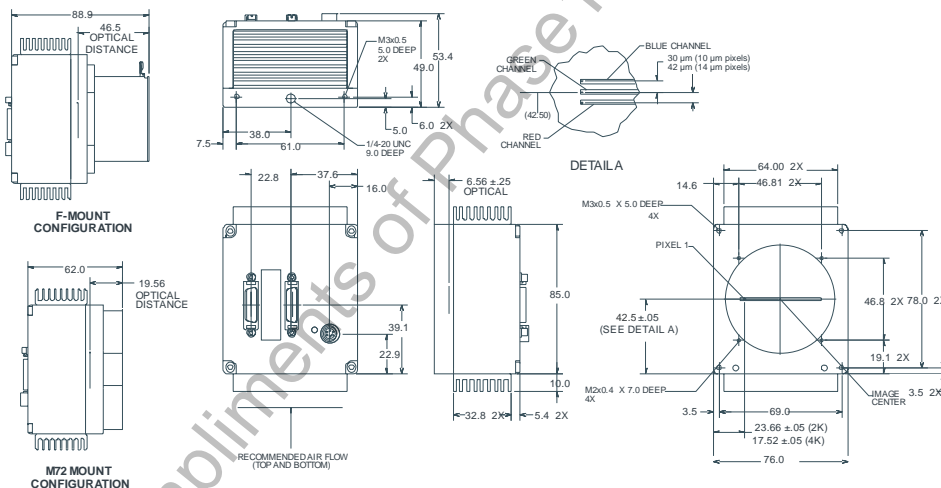
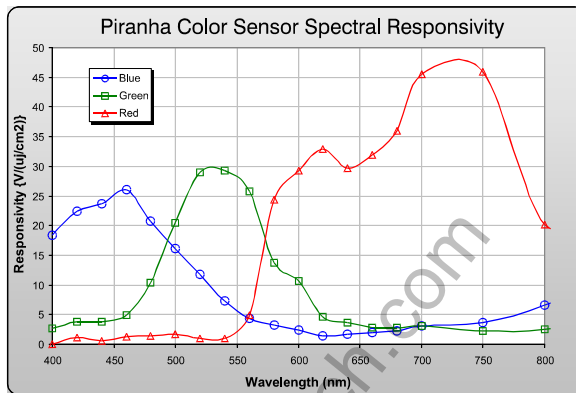
Resolution	2048 / 4096
Data Rate	3 x 60 or 80 MHz
Max. Line/Frame Rate	32.3 / 17.6 kHz
Pixel Size	14 μm (2k) / 10 μm (4k)
Data Format	8, 12 bits
Output	Base or Medium Camera Link
Lens Mount	F mount or M72 x 0.75
Responsivity	see graph
Dynamic Range	> 50 dB
Nominal Gain Range	± 10 dB
Size	76 mm x 105 mm x 50 mm
Mass	< 450 g
Operating Temp	0 $^{\circ}\text{C}$ to 50 $^{\circ}\text{C}$
Power Supply	+12 V to +15 V
Power Dissipation	12 W
Regulatory Compliance	CE Pending
Control	MDR26 Camera Link
Data	Shared with Control



Piranha Color PC-30 (Preliminary)

Line Scan Cameras

The Piranha Color camera uses a trilinear CCD sensor with 3 lines of pixels: one blue, one red and one green.



NOTES:
 1) TOLERANCE (UNLESS OTHERWISE SPECIFIED)
 .XX ±.30
 X ±.5
 2) ROTATION WRT CAMERA EDGE IS .2° MAX