



# Piranha4 2K RGB + Mono

High Speed Quadlinear CMOS Cameras



## 70 kHz line rates quadlinear color, superior image quality, and easy to use.

The new Piranha4 quadlinear color cameras provide industry leading speeds to meet future requirements of higher throughput in demanding color imaging applications.

Based on Teledyne DALSA's unique CMOS linescan technology, the Piranha4 color family delivers superb color fidelity, responsive pixels, all in a compact footprint and with an easy to use interface. New features include multiple regions of interest for data reduction and regional calibration, sub-pixel line spatial correction, factory calibration to white LED, white balance and colour calibration tools.

### Key Features

- High speed: up to 70 kHz line rates
- Three native colors (RGB) plus monochrome per pixel
- Bi-directional
- Compact camera body
- Sub-pixel spatial correction
- Horizontal Parallax Correction

### Programmability

- Multiple Regions of Interest for calibration and data reduction
- 8, 10, or 12 bit output
- Flat field and lens shading correction
- 8 programmable coefficient sets
- GenICam or ASCII compliant interfacing

### Typical Applications

- 100% print inspection (pharmaceuticals, bank note)
- Electronics inspection
- Materials grading systems
- Web inspection
- High performance color sorting systems
- Food inspection
- General purpose machine vision

### Specifications

|                       |   |
|-----------------------|---|
| Resolution            | 2048 x 4 pixels                           |
| Line Rate             | Up to 70 kHz                              |
| Pixel Size            | 14.08 $\mu\text{m}$ x 14.08 $\mu\text{m}$ |
| Data Format           | 8, 10, or 12 bits, selectable             |
| Output                | Base, Medium, Full and Deca Camera Link   |
| Lens Mount            | M42 x 1<br>F-mount adapter available      |
| Responsivity          | See graph                                 |
| Dynamic Range         | > 60 dB                                   |
| Nominal Gain Range    | 1x to 10x                                 |
| Size                  | 62 mm x 62 mm x 48 mm                     |
| Mass                  | < 340 g                                   |
| Operating Temp        | 0 °C to 65 °C (front plate)               |
| Power                 | Hirose 6-pin male                         |
| Power Dissipation     | 8 W                                       |
| Control & Data        | SDR-26 mini Camera Link                   |
| Regulatory Compliance | CE, FCC, and RoHS                         |

### Piranha4 Trilinear Model Comparison

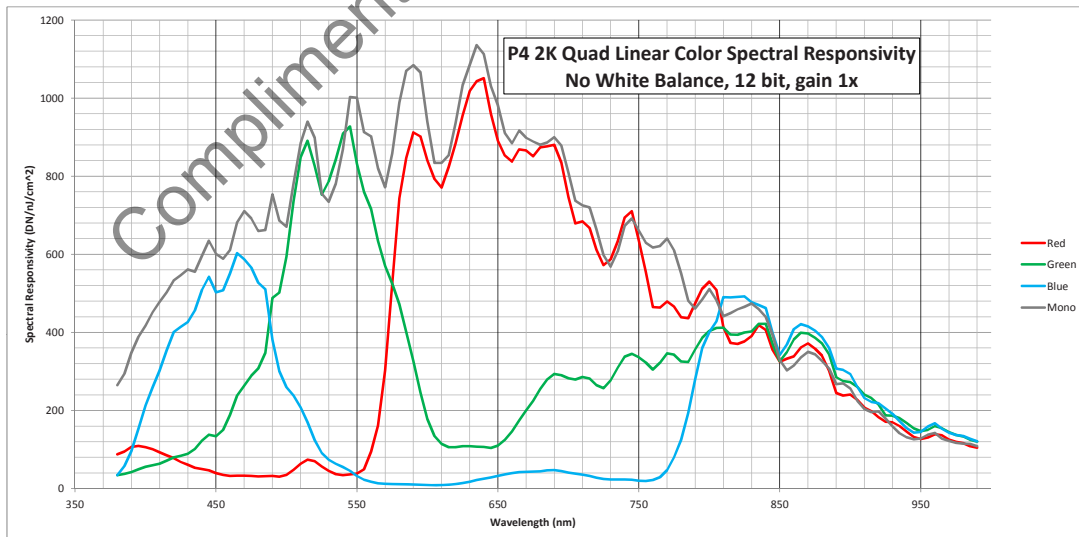
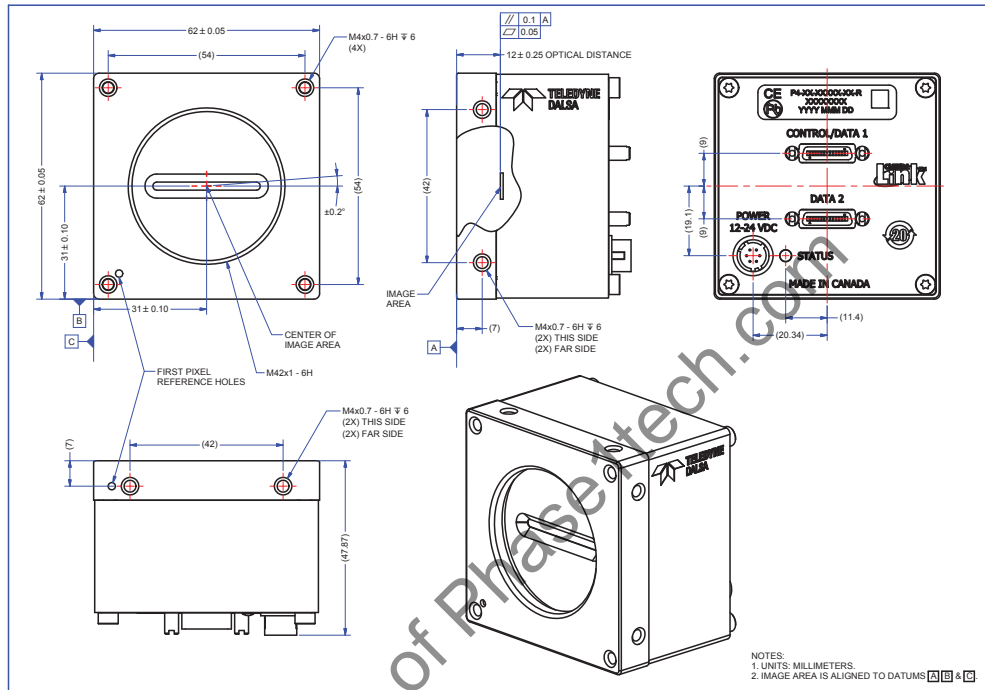
| Part Number        | Resolution      | Maximum Line | Pixel Size                                |
|--------------------|-----------------|--------------|---|
| P4-CC-02K07Q-00-R* | 2048 x 4 pixels | 70 kHz       | 14.08 $\mu\text{m}$ x 14.08 $\mu\text{m}$ |

\*With monochrome line



# Piranha4 2K RGB + Mono

High Speed Quadlinear CMOS Cameras



[www.teledynedalsa.com](http://www.teledynedalsa.com)

### Americas

Boston, USA  
+1 978-670-2000  
sales.americas@teledynedalsa.com

### Europe

Krailling, Germany  
+49 89-89-54-57-3-80  
sales.europe@teledynedalsa.com

### Asia Pacific

Tokyo, Japan  
+81 3-5960-6353  
sales.asia@teledynedalsa.com

Shanghai, China  
+86 21-3368-0027  
sales.asia@teledynedalsa.com