

Spyder 3 CL S3-x0

Dual Line Scan Cameras



Key Features

- Camera Link configuration
- Broadband responsivity up to 408 DN(nJ/cm²)@10dB gain
- Dual linescan technology
- High or low speed (40 or 80 megapixels/second throughput)
- Up to 68 kHz line rates
- Exposure control

Programmability

- Programmable gain, offset, line rates, trigger mode, test pattern output, and camera diagnostics
- Selectable high or low sensitivity modes
- Horizontal binning, vertical binning as tall pixel mode
- Flat field correction
- Mirroring and forward/reverse control

Typical Applications

- FPD inspection
- Postal sorting
- Industrial metrology
- Print/food/web/material inspection
- Container inspection
- Pick and place

Overview

3x more responsivity, 2x the speed and no impact on noise.

The Spyder 3 CL surpasses its predecessor, the Spyder 2, with 3x more responsivity and 2x the speed. At its core is DALSA's dual line scan technology that achieves unprecedented responsivity and throughput rates of 80 mega pixels per second, without impacting noise.

The Spyder 3 CL features the Camera Link serial interface and is fully programmable, offering precise control over key performance variables such as gain and offset.

For those OEMs migrating from the Spyder or Spyder 2, the Spyder 3 CL does not require a new optics design because pixel size and fill factor remain unchanged at 14 μm x 14 μm and 100% respectively.

In addition to its high performance and affordability, Spyder 3 CL also incorporates advanced features such as flat field correction and CDS (Correlated Double Sampling).

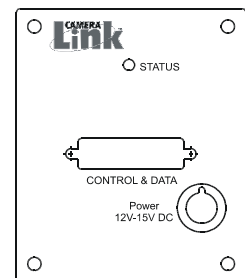
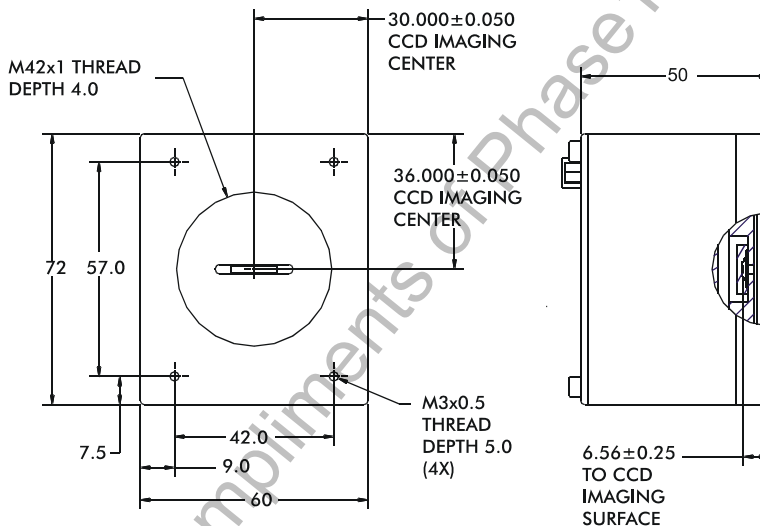
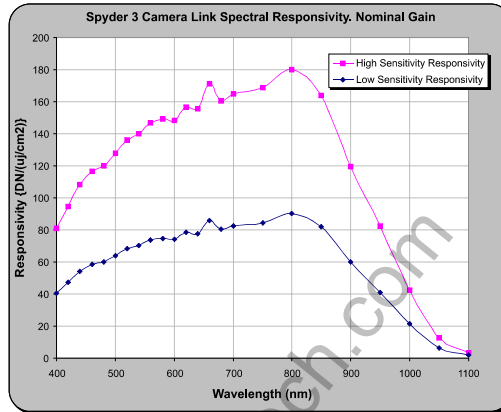
Specifications

Resolution	1024 / 2048
Data Rate	40 / 80 Mega pixels per second
Max. Line/Frame Rate	68 / 36 kHz
Pixel Size	14 μm x 14 μm
Data Format	8, 12 bit
Output	Base Camera Link
Lens Mount	M42 x 1, C, F mount
Responsivity	408 DN(nJ/cm ²)@10dB
Dynamic Range	1400:1
Nominal Gain Range	± 10 dB
Size	72 (h) x 60 (l) x 50 (w) mm
Mass	<300 g
Operating Temp	0 $^{\circ}\text{C}$ to 50 $^{\circ}\text{C}$
Power Supply	+12 V to +15 V
Power Dissipation	<5 W
Regulatory Compliance	CE and RoHS
Control	MDR26 female Camera Link
Data	Shared with control
Power	Hirose 6 HR10 pin male
Example Part Number	S3-20-02k40-00-R

Spyder 3 CL S3-x0

Dual Line Scan Cameras

The Spyder 3 Camera Link sports 3x the responsivity at twice the speed of the Spyder 2 while maintaining the same dynamic range and adding the Camera Link interface.



UNITS : MM

