



For FA/Machine Vision  
Fixed Focal

# CF50HA-1

Applicable camera (model)

|   |     |     |     |     |
|---|-----|-----|-----|-----|
| 1 | 2/3 | 1/2 | 1/3 | 1/4 |
|---|-----|-----|-----|-----|

**NEW**



- High-resolution design, providing support for up to 1.5 megapixel camera resolution.
- Wide-aperture (F1.8) design achieves clear images under low light intensity, despite the long focal distance.
- Low-distortion design achieving accurate image input.
- Robust enclosure resistant to vibrations and shocks. Equipped with locking knobs for the iris and the focus.

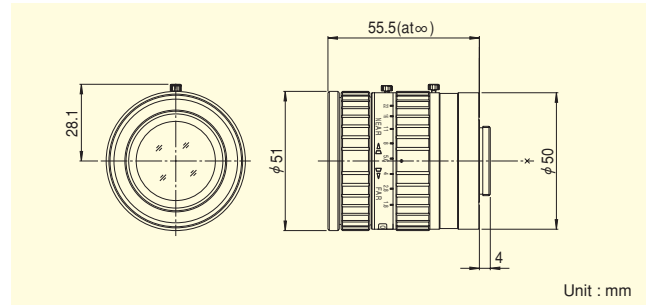
**FIXED**  
Fixed Focal

**1.5 Mega**  
For Megapixel Camera

**MANUAL**  
Manual Iris

**C-mt**  
C Mount

**METAL**  
Metal Mount



|   |       |                 |
|---|-------|-----------------|
| Focal Length (mm)                           |       | 50              |
| Iris Range                                  |       | F1.8 ~ F22      |
| Operation                                   | Focus | Manual          |
|   | Iris  | Manual          |
| Angle Of View (H×V)                         | 1"    | 14°35' × 10°58' |
|   | 2/3"  | 10°03' × 7°33'  |
|   | 1/2"  | 7°19' × 5°30'   |
| Focusing Range (From Front Of The Lens) (m) |       | ∞ ~ 0.4 *1      |
| Object Dimensions at M.O.D. (H×V) (mm)      | 1"    | 101 × 76        |
|   | 2/3"  | 70 × 52         |
|   | 1/2"  | 51 × 38         |
| Back Focal Distance (in air) (mm)           |       | 17.81           |
| Exit Pupil Position (From Image Plane) (mm) |       | -49             |
| Filter Thread (mm)                          |       | M49 × 0.75      |
| Mount                                       |       | C               |
| Mass (g)                                    |       | 235             |

Remarks

- With Metal Mount
- With Locking Knob for Iris and Focus

\*1 Using an extension tube longer than 5mm will increase the M.O.D. to 0.3m.

FIXED FOCAL LENGTH LENSES



For FA/Machine Vision  
Fixed Focal

# CF75HA-1

Applicable camera (model)

|   |     |     |     |     |
|---|-----|-----|-----|-----|
| 1 | 2/3 | 1/2 | 1/3 | 1/4 |
|---|-----|-----|-----|-----|

**NEW**



- High-resolution design, providing support for up to 1.5 megapixel camera resolution.
- Wide-aperture (F1.8) design achieves clear images under low light intensity, despite the long focal distance.
- Low-distortion design achieving accurate image input.
- Robust enclosure resistant to vibrations and shocks. Equipped with locking knobs for the iris and the focus.

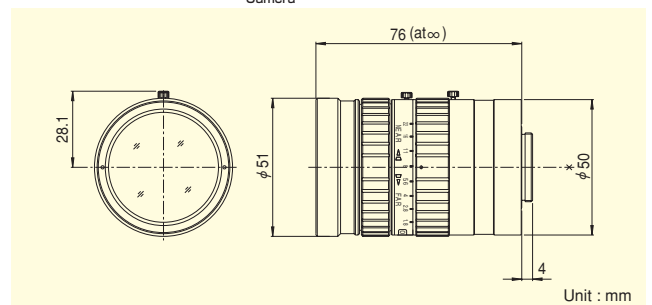
**FIXED**  
Fixed Focal

**1.5 Mega**  
For Megapixel Camera

**MANUAL**  
Manual Iris

**C-mt**  
C Mount

**METAL**  
Metal Mount



|   |       |               |
|---|-------|---------------|
| Focal Length (mm)                           |       | 75            |
| Iris Range                                  |       | F1.8 ~ F22    |
| Operation                                   | Focus | Manual        |
|   | Iris  | Manual        |
| Angle Of View (H×V)                         | 1"    | 9°45' × 7°19' |
|   | 2/3"  | 6°43' × 5°02' |
|   | 1/2"  | 4°53' × 3°40' |
| Focusing Range (From Front Of The Lens) (m) |       | ∞ ~ 0.9 *2    |
| Object Dimensions at M.O.D. (H×V) (mm)      | 1"    | 147 × 111     |
|   | 2/3"  | 101 × 76      |
|   | 1/2"  | 74 × 55       |
| Back Focal Distance (in air) (mm)           |       | 24.43         |
| Exit Pupil Position (From Image Plane) (mm) |       | -52           |
| Filter Thread (mm)                          |       | M49 × 0.75    |
| Mount                                       |       | C             |
| Mass (g)                                    |       | 295           |

Remarks

- With Metal Mount
- With Locking Knob for Iris and Focus

\*2 Using an extension tube longer than 5mm will increase the M.O.D. to 0.5m.