



For FA/Machine Vision Fixed Focal

HF75HA-1B

Applicable camera (model)

1 2/3 1/2 1/3 1/4

FIXED
Fixed Focal

1.5 Mega
For Megapixel
Camera

MANUAL
Manual Iris

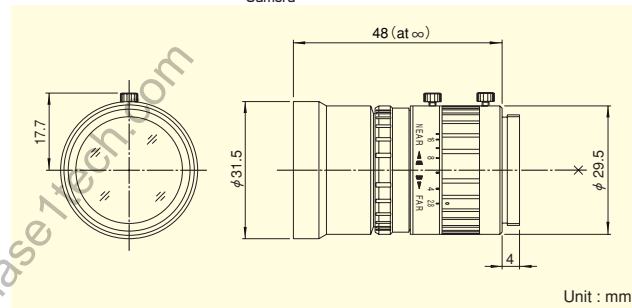
C-mt
C Mount

METAL
Metal Mount



- Design achieving the high resolution, supporting up to 1.5 mega pixel cameras
- Designed for low distortion, enabling faithful image input
- Compact, lightweight and robust design, supporting various systems
- Focus & iris lock tab provided, supporting environments such as vibration

*Photograph is a similar model.



Focal Length (mm)		75
Iris Range		F2.8 ~ F22
Operation	Focus	Manual
	Iris	Manual
Angle Of View (H×V)	2/3"	6°43' × 5°02'
	1/2"	4°53' × 3°40'
	1/3"	3°40' × 2°45'
Focusing Range (From Front Of The Lens) (m)		∞ ~ 1.1
Object Dimensions at M.O.D. (H×V) (mm)	2/3"	114 × 85
	1/2"	83 × 62
	1/3"	62 × 47
Back Focal Distance (in air) (mm)		15.74
Exit Pupil Position (From Image Plane) (mm)		-26.6
Filter Thread (mm)		M30.5 × 0.5
Mount		C
Mass (g)		55

- Remarks
- With Metal Mount
 - With Locking Knob for Iris and Focus