



**For FA/Machine Vision
Fixed Focal**

HF9HA-1B

Applicable camera (model)

1	2/3	1/2	1/3	1/4
---	-----	-----	-----	-----

FIXED
Fixed Focal

1.5 Mega
For Megapixel
Camera

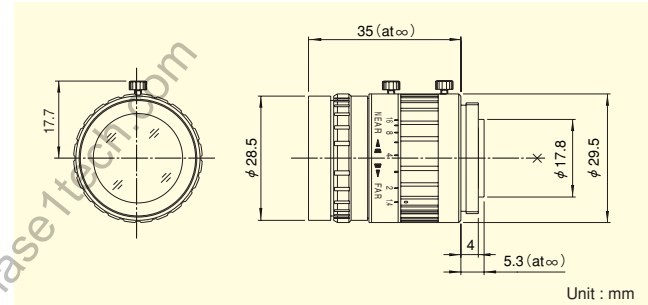
MANUAL
Manual Iris

C-mt
C Mount

METAL
Metal Mount



- Design achieving the high resolution, supporting up to 1.5 mega pixel cameras
- Designed for low distortion, enabling faithful image input
- Compact, lightweight and robust design, supporting various systems
- Focus & iris lock tab provided, supporting environments such as vibration



Focal Length (mm)		9
Iris Range		F1.4 ~ F16
Operation	Focus	Manual
	Iris	Manual
Angle Of View (H×V)	2/3"	52°06' × 40°16'
	1/2"	39°09' × 29°52'
	1/3"	29°52' × 22°37'
Focusing Range (From Front Of The Lens) (m)		∞ ~ 0.1
Object Dimensions at M.O.D. (H×V) (mm)	2/3"	108 × 81
	1/2"	79 × 59
	1/3"	59 × 44
Back Focal Distance (in air) (mm)		13.48
Exit Pupil Position (From Image Plane) (mm)		-27.9
Filter Thread (mm)		M27 × 0.5
Mount		C
Mass (g)		55

Remarks
 • With Metal Mount
 • With Locking Knob for Iris and Focus