

# G20Z36S

## Global Shutter 36x Zoom Module

**LVDS EX-SDI CVBS**

**1/2.3" CMOS** **60fps Full HD 1080p** **Digital Signal LVDS** **OVER 300m EX-SDI**

**AF ZOOM** **36x ZOOM** **3D DNR** **DSS** **MOTION**

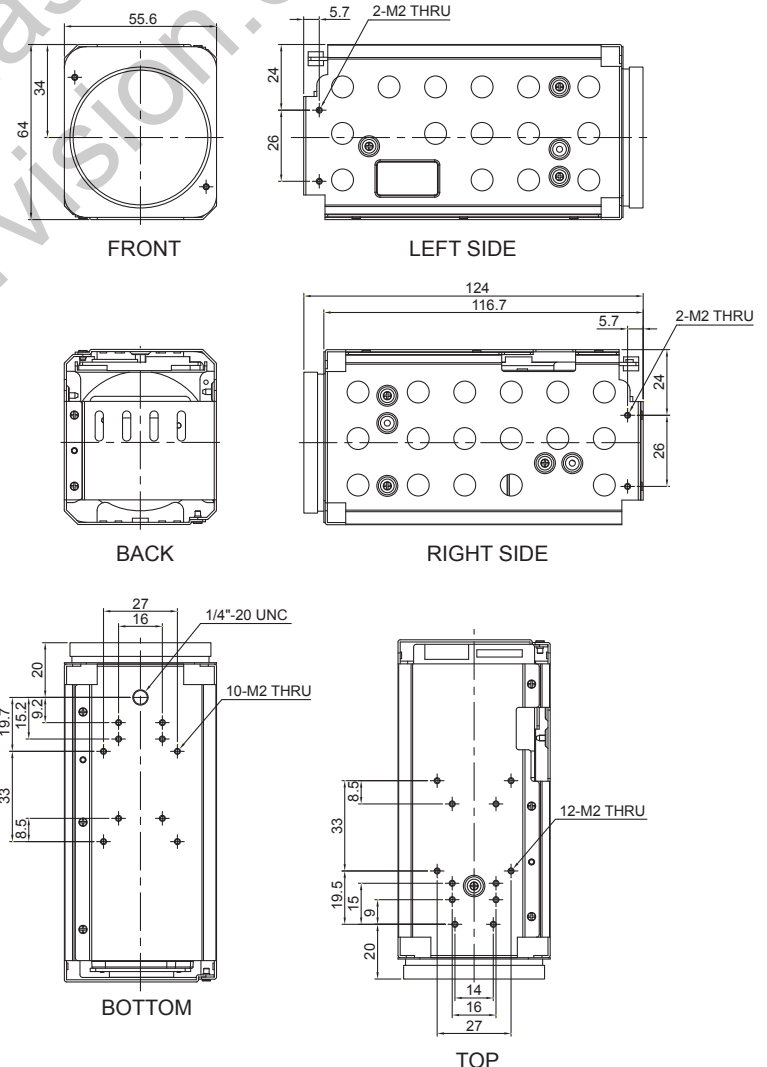


### Features

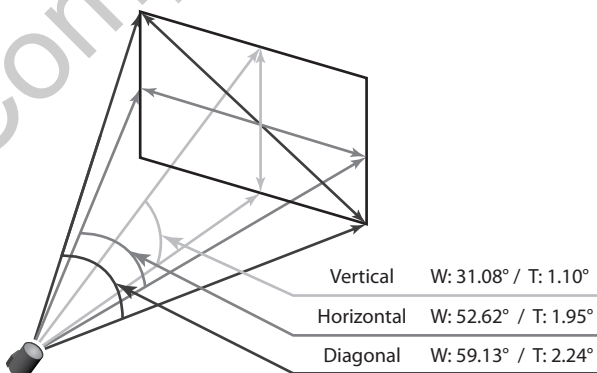
- 1/2.3" Sony Global shutter CMOS sensor
- 1080p 60fps/30fps, 720p 60fps/30fps
- 36x Optical Zoom(6mm~216mm) & 32x Digital Zoom
- F1.5(wide) ~ F4.8(tele)
- Day & Night(ICR)
- Digital Noise Reduction(2D+3D)
- Digital Image Stabilization
- Privacy Mask Function
- Intelligent Motion Detection
- Defog Function
- Supports VISCA, Pelco-D/P Protocol
- Video Out : LVDS, EX-SDI, CVBS

### Dimensions

Unit : mm



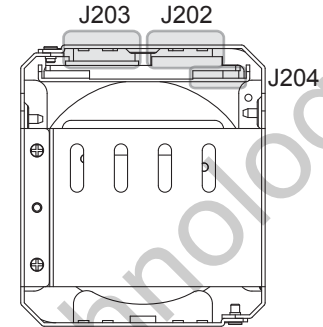
### Field of View



## Specifications

Image Sensor	1/2.3" Sony CMOS Sensor			
Total Pixels	1,936(H) x 1,226(V) = 2.37M pixels			
Active Pixels	1,936(H) x 1,216(V) = 2.35M pixels			
Scanning System	Progressive Scan			
Sync. System	Internal			
Resolution	Digital : 1080p/60(50)/fps, 1080p/30(25)/fps, 720p/60(50)/fps, 720p/30(25)/fps Analog : CVBS			
Min. Illumination	Color(1/30s, 48dB) : 0.3 lux , BW(1/30s, 48dB) : 0.01 lux Color DSS(1/2s, 48dB) : 0.06 lux , BW DSS(1/2s, 48dB) : 0.002 lux			
Video Output	HD : LVDS, EX-SDI Analog : CVBS			
S/N Ratio	more than 50dB (AGC off)			
Lens Type	36x Day & Night Zoom Lens			
Zoom Ratio	Optical 36x, Digital 32x Zoom			
Focal Length	f = 6.0 mm ~ 216.0 mm			
Aperture Ratio	F1.5 (wide) ~ F4.8 (tele)			
Angle Of View(D, H, V)	Wide	59.13°	52.62°	31.08°
	Tele	2.24°	1.95°	1.10°
Trigger Polarity	Active Low / Active High			
Trigger Delay	0 ~ 255.9ms			
Strobe Polarity	Active Low / Active High			
Strobe Delay	Ext-Trigger : 0 ~ 255.9ms / Free run : 0 ~ (1V period - Width)ms			
Strobe Width	Ext-Trigger : 0 ~ 255.9ms / Free run : 0 ~ (1V period - Delay)ms			
Shutter Speed(Ext-trigger)	1/30(25) ~ 1/20,000 sec			
AGC(Ext-trigger)	0 ~ 10 steps			
Iris(Ext-trigger)	Close ~ F1.5			
Day&Night(Ext-trigger)	Day / Night			
AF Mode	Auto / One Push / Manual			
Min. Distance	0.1 / 1.5 / 3.0 / 5.0 / 10.0 m			
Lens Refresh	One Push / 1 ~ 10Days			
Digital Zoom	Off / MAX 2x ~ 32x			
Exposure	Auto / Iris. Priority / Shut. Priority / Manual			
Digital Slow Shutter(DSS)	Off / 2x / 4x / 8x / 16x / 32x (/64x : 60 or 50fps mode only)			
Brightness	0 ~ 14 steps			
BACK LIGHT	Off / BLC / HLC			
Night Function Set	Off / On			
White Balance	Auto / One Push / Manual / Indoor / Outdoor			
DNR	Auto / Off / Low / Middle / High			
Mirror	Off / H / V / H&V			
Sharpness	0 ~ 10 steps			
Defog	Off / Manual / Auto			
Privacy Mask	Off / On (8 points)			
Motion Detection	Off / On (3 points)			
Defect Detection	Off / On			
System	NTSC / PAL			
Communication	Baud Rate : 2400 / 4800 / 9600 / 19200 / 38400 / 57600 / 115200 Protocol : VISCA / Pelco-D / Pelco- P / Update			
Language	English / Simplified Chinese / Traditional Chinese / Japanese			
Power Source	9V to 15V DC			
Power Consumption	550mA			
Power Input	Connector			
Video Output	Connector			
Storage Temperature	-20℃ ~ +60℃ (Humidity : 0%RH ~ 90%RH)			
Operating Temperature	-10℃ ~ +50℃ (Humidity : 0%RH ~ 90%RH)			
Dimensions	55.6(W) x 64(H) x 124(D)			
Weight	416g			

## Pin Assignment



J203	
1	TXOUT3+
2	TXOUT3-
3	TXCLKOUT+
4	TXCLKOUT-
5	TXOUT2+
6	TXOUT2-
7	TXOUT1+
8	TXOUT1-
9	TXOUT0+
10	TXOUT0-
11	GND
12	TxD
13	RxD
14	DC IN
15	DC IN
16	DC IN
17	DC IN
18	DC IN
19	GND
20	GND
21	NC
22	NC
23	NC
24	NC
25	EXSDI+
26	EXSDI-
27	TRIG_IN
28	STROBE_OUT
29	CVBS_OUT
30	NC

J202	
1	GND
2	TxD
3	RxD
4	TRIG_IN
5	GND
6	STROBE_OUT
7	GND
8	ADKEY
9	NC
10	D/N-IN
11	NC
12	MD-OUT
13	485-DIR
14	NC
15	GND
16	+5V
17	GND
18	CVBS-OUT
19	GND
20	DC IN

Ref 05002HR-24J05 (YEONHO)

J204	
1	GND
2	CVBS-OUT

Ref 12505WR-02(YEONHO)

Ref USL00-30L-C(KEL Cop.)

