

Genie™ Nano-C4900

Area Scan Camera



Key Features

- Uses standard PC Ethernet port & hardware
- Supports cable lengths up to 100 m (CAT-5e or CAT-6)
- Simplified set-up with field proven Sapera LT software featuring CamExpert
- Engineered to accommodate industrial environment with a Ruggedize, screw mount, RJ-45 connector

Programmability

- Higher frame rates achievable in partial scan mode
- Electronic Rolling Shutter (ERS) with Global Reset Release (GRR)

Typical Applications

- Electronics manufacturing inspection

Regulatory Compliance

- CE, FCC and RoHS

Overview

Compact 18 megapixel GigE Vision camera with superb image quality.

The Genie Nano-C4900 uses the Onsemi AR1820HS 18M Bayer Sensor with a resolution of 4912 x 3684. Teledyne DALSA's "Burst Acquisition" feature allows for image capture rates of 13 fps in 18M pixels resolution while maintaining superb image quality. The Genie Nano-C4900 takes advantage of gigabit Ethernet technology, transmitting data over standard CAT-5e and CAT-6 cables to distances of up to 100 m. Like all Teledyne DALSA GigE cameras, the Genie Nano-C4900 is based on AIA (Automated Imaging Association) GigE Vision Standard to directly link the camera to a PC.



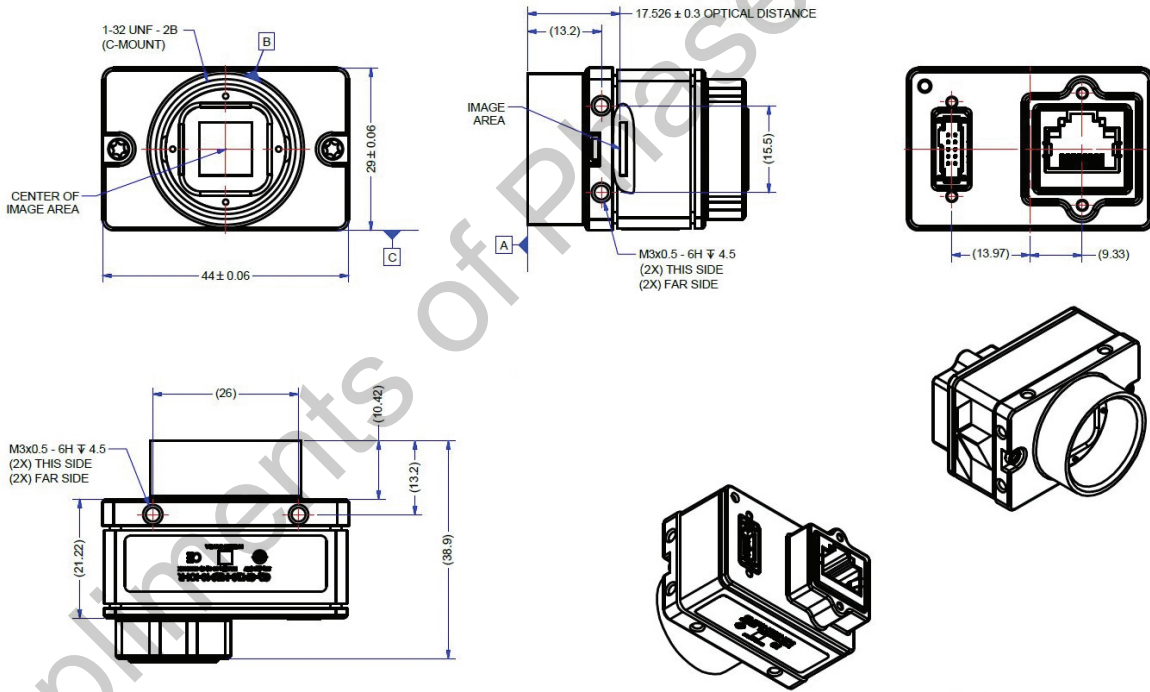
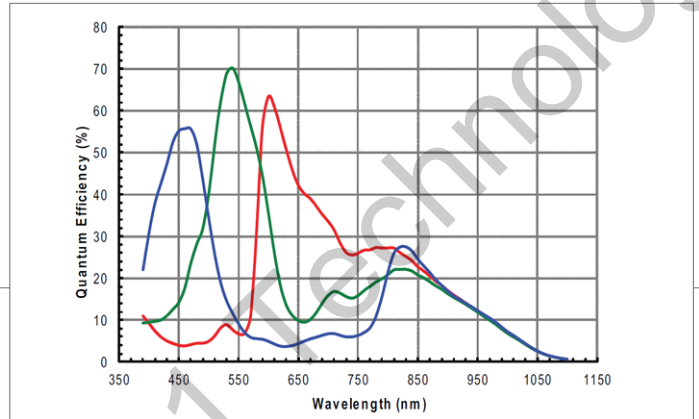
Specifications

Active Resolution	4912 x 3684
Pixel Size	1.25 μm x 1.25 μm BSI
Acquisition Frame Rate	13 fps Internal Acquisition 6 fps in Monochrome 8-bit 3 fps in Color 16-bit
Data Output Transfer	Gigabit Ethernet (1000 Mbit/s) only
Data Format	Monochrome 8-bit RGB 24-bits RGBA 32-Bits (RGB with Mono image) YUV 422
Exposure Control	Programmable
Dynamic Range	65.8 dB
I/O Ports	2 opto-isolated input, 2 opto-isolated output
Image Buffer	200 MB of On-board memory
Lens Mount	C and CS-Mount available
Size (L x H x W)	21.2 mm x 29 mm x 44 mm (without lens adapter or connectors) 38.9 mm x 29 mm x 44 mm (with lens adapter and connectors)
Mass	~46g
Operating Temp	-20 to +60c (Housing temperature)
Power Supply	10 to 36V or Power Over Ethernet (POE)
Power Dissipation	4.6 W(12V) 4.9 W (PoE)
Data Connector	Standard or Vertical Screw mount RJ-45
Power and I/O Connector	SAMTEC TFM-105 type
Camera Specification	GigE Vision v1.2 Compliant
Software Platform	Teledyne DALSA Sapera LT 8.0 or 3rd Party Genicam Compliant SDK
Part Number	G3-GC10-C4900 (for C-mount option)

Genie™ Nano-C4900

Area Scan Camera

All Genie cameras feature value added functionality designed specifically for imaging and machine vision applications. All features are easily accessible with Teledyne DALSA's advanced software tools. These tools deliver superior image capture, performance, and control.



www.teledynedalsa.com

Americas

Boston, USA
+1 978-670-2000
sales.americas@teledynedalsa.com

Europe

Krailling, Germany
+49 89-89-54-57-3-80
sales.europe@teledynedalsa.com

Asia Pacific

Tokyo, Japan
+81 3-5960-6353
sales.asia@teledynedalsa.com

Shanghai, China
+86 21-3368-0027
sales.asia@teledynedalsa.com

Teledyne DALSA has its corporate offices in Waterloo, Canada
Teledyne DALSA reserves the right to make changes at any time without notice. Teledyne DALSA © 2017.

