



## ❖ RM-670 / RM-675 NIR/RM-673 NIR

Monochrome Interlaced Scan CCD

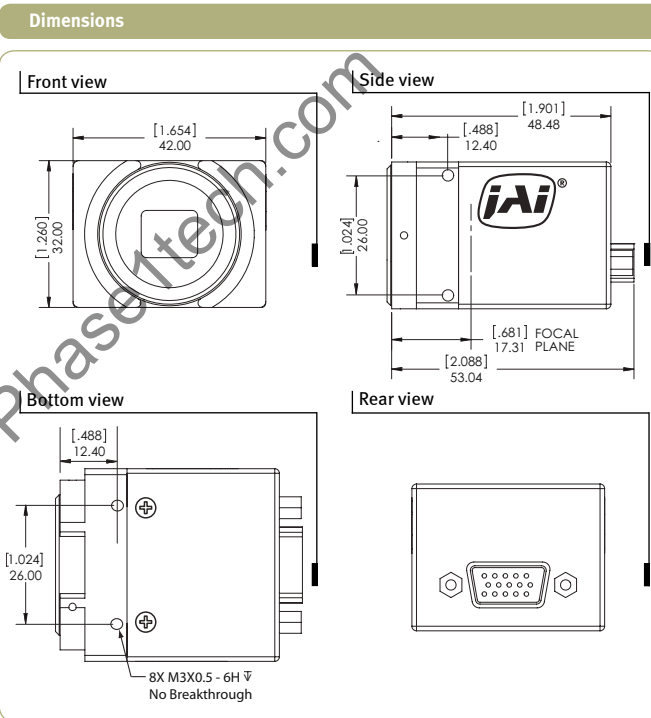
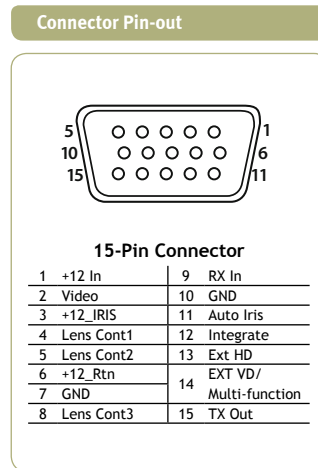
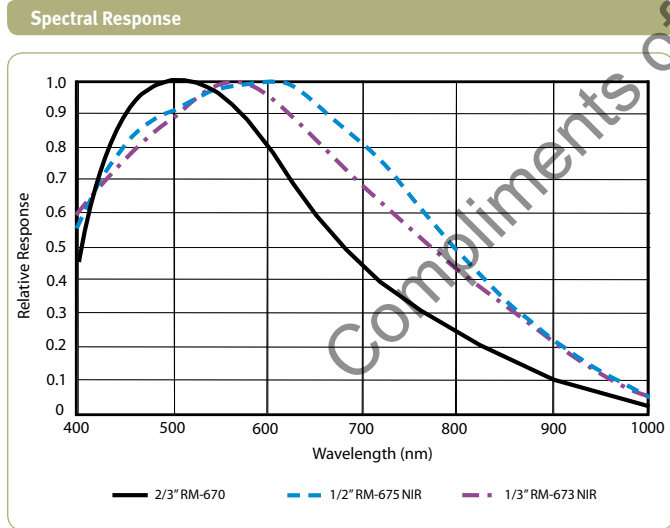


- **Monochrome interlaced cameras**
- **1/3" NIR, 1/2" NIR, or 2/3" high resolution interline transfer CCD**
- **752 x 582 resolution @ 25 fps (CCIR)**
- **Micro, rugged construction**
- **Shutter from 1/60 to 1/100,000 sec.**
- **RS-232 adjustable manual gain, selectable ALC modes (optional), shutter, gamma and field/frame select**
- **External sync in**
- **Mount positionable on all four sides**
- **Single 15 D-sub connector for video, RS-232 and power**
- **Mirror Image, horizontal-enable/disable capability**
- **3-axis control for lens control or pan/tilt**
- **High sensitivity option for low light applications**



# Specifications for RM-670/RM-675 NIR/RM-673 NIR

Specifications	CCIR RoHS		
	RM-670	RM-675 NIR	RM-673 NIR
Sensor	2/3" interlace CCD ICX423AL	1/2" CCD NIR interlace ICX429AL	1/3" CCD NIR interlace ICX259AL
Active pixels	752 (H) x 582 (V)		
Chip size	10.25 x 8.5 mm	7.4 x 5.95 mm	6.0 x 4.96 mm
Cell size	11.6 μm x 11.2 μm	8.6 μm x 8.3 μm	6.5 μm x 6.25 μm
Scanning	625 lines / 50 Hz		
Synchronization	Internal/external auto switch HD/VD 4.0 Vp-p impedance 10K Ω VD = interlace/non-interlace HD = 15.62 kHz ± 5%		
TV resolution	560 (H) x 420 (V)		
S/N ratio	>53 dB min. (AGC Off)		
Sensitivity	0.16 lux (f=1.4)	0.10 lux (f=1.4)	0.20 lux (f=1.4)
High sensitivity option	Up to 100X increase in low-light sensitivity (reduced resolution)		
Video output	1.0 Vp-p composite video, 75 Ω		
Gamma	0.45 / 1.0 (RS-232 controlled) 1.0 Factory Default		
Lens mount	C-mount (adjustable)		
Power requirement	12V DC, 150 mA typical at 25° C		
Operating temperature	-10° C to +50° C		
Storage temperature	-50° C to +70° C		
Vibration	7 Grms (20 Hz to 2000 Hz) Random		
Shock	70 G, 11 ms, half-sine		
Dimensions (H x W x L)	32 x 42 x 48.48 mm with mechanical enclosure 29.3 x 39.4 x 35.66 mm without mechanical enclosure		
Weight	113 g with mechanical enclosure 69 g without mechanical enclosure		



### Ordering Information

Camera	
RoHS Compliant	RM-670, RM-675 NIR, RM-673 NIR
Optional Functions	
ALC selectable modes - Enable/Disable*	OP1-5
Blemish Compensation	OP2-5
Extended Temperature (-40° C to +65° C)	OP22-5-1
Conformal Coat	OP22-5-5
Optional Accessories (must be ordered separately)	
Tripod Kit	TP-50
Cable	15P-02-9P
Cable with leads	15P-02-9P-FULL
Power Supply	PD-12UU series

\* Includes High Sensitivity mode

Europe, Middle East & Africa  
Phone +45 4457 8888  
Fax +45 4491 3252

Asia Pacific  
Phone +81 45 440 0154  
Fax +81 45 440 0166

Americas  
Phone (Toll-Free) 1 800 445 5444  
Phone +1 408 383 0300

Visit our web site on [www.jai.com](http://www.jai.com)



See the possibilities