

## ❖ RMC-675/RMC-673

Color Interlaced Scan CCD



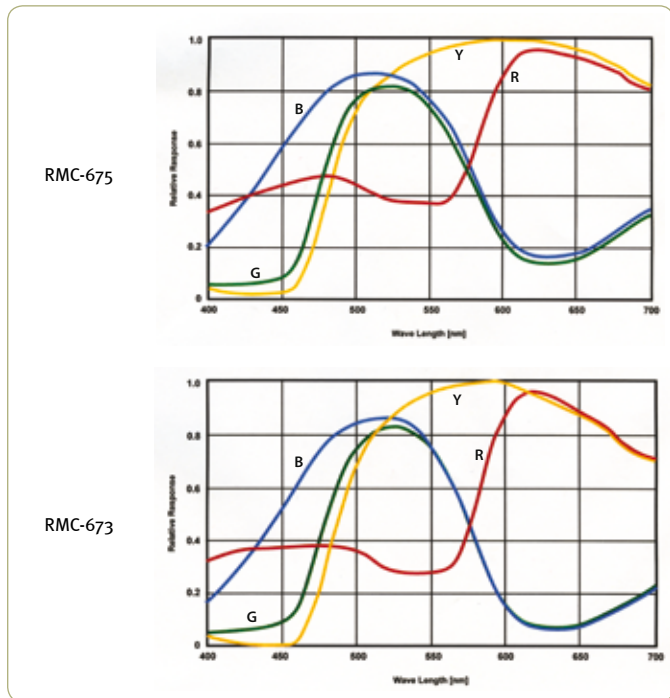
- *Color interlaced cameras*
- *1/2", or 1/3" high resolution interline transfer CCD*
- *752 x 582 resolution @ 25 fps (PAL)*
- *Micro, rugged construction*
- *Shutter from 1/60 to 1/100,000 sec.*
- *RS-232 adjustable manual gain, selectable ALC modes (optional), shutter, gamma and AWB select*
- *External sync in*
- *Mount positionable on all four sides*
- *Single 15 D-sub connector for video, RS-232 and power*
- *Mirror Image-horizontal, enable/disable capability*
- *3-axis control for lens control or pan/tilt*



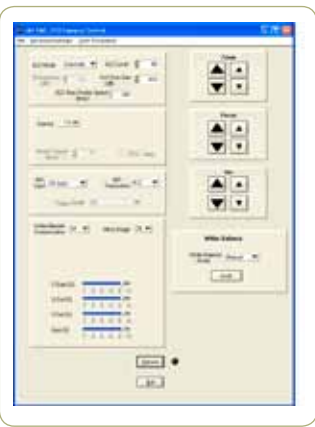
# Specifications for RMC-675/RMC-673

Specifications	PAL	
	RMC-675	RMC-673
Sensor	1/2" CCD interlace ICX429AKL	1/3" CCD interlace ICX259AKL
Active pixels	752 (H) x 582 (V)	
Chip size	7.4 x 5.95 mm	6.0 x 4.96 mm
Cell size	8.6 $\mu$ m x 8.3 $\mu$ m	6.5 $\mu$ m x 6.25 $\mu$ m
Scanning	625 lines / 50 Hz	
Synchronization	Internal/external auto switch HD/VD 4.0 Vp-p impedance 10K $\Omega$ VD = interlace/non-interlace HD = 15.62 kHz $\pm$ 50ppm	
TV resolution	560 (H) x 420 (V)	
S/N ratio	>50 dB min. (AGC Off)	
Sensitivity	0.25 lux (f=1.4) max. gain 50% video	0.55 lux (f=1.4) max. gain 50% video
Video output	1.0 Vp-p composite video, 75 $\Omega$	
ALC	OP1-5 ON/OFF (RS-232 controlled)	
Gamma	0.45 / 1.0 (RS-232 controlled) 1.0 Factory Default	
Lens mount	C-mount (adjustable)	
Power requirement	12V DC, 199 mA typical at 25° C	
Operating temperature Standard OP22-5-1	-10° C to +50° C -40° C to +65° C (reduced performance may occur)	
Storage temperature	-50° C to +70° C	
Vibration	7 Grms (20 Hz to 2000 Hz) Random	
Shock	70 G, 11 ms, half-sine	
Dimensions (H x W x L)	32 x 42 x 48.48 mm with mechanical enclosure 29.3 x 39.4 x 35.66 mm without mechanical enclosure	
Weight	113 g with mechanical enclosure 69 g without mechanical enclosure	

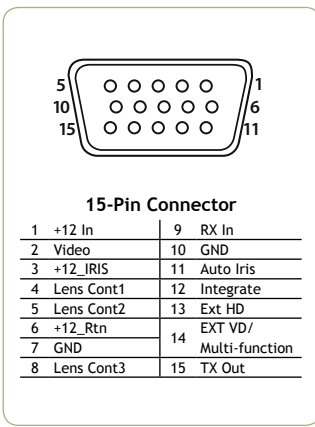
## Spectral Response



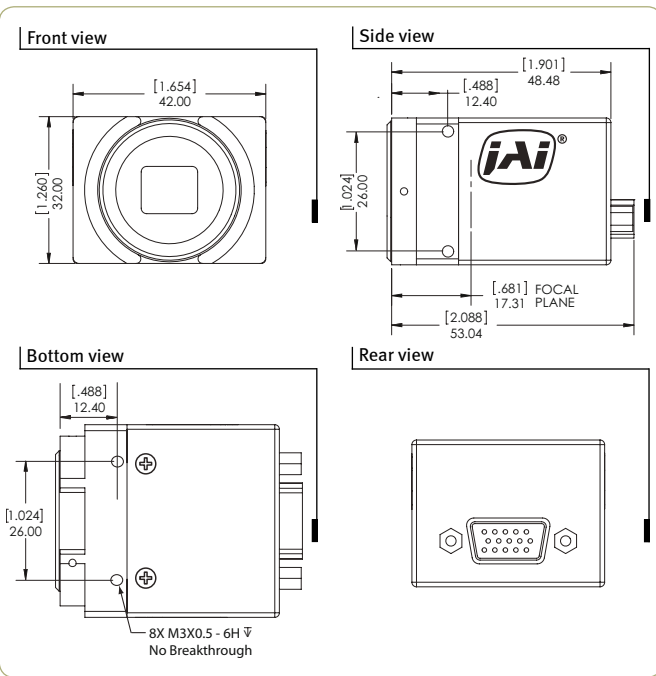
## GUI Interface



## Connector Pin-out



## Dimensions



## Ordering Information

Camera	
RoHS Compliant	RMC-675, RMC-673
Optional Functions	
ALC selectable modes - Enable/Disable	OP1-5
Blemish Compensation	OP2-5
Optical Filter Removal	OP3-2
Extended Temperature (-40° C to +65° C)	OP22-5-1
Conformal Coat	OP22-5-5
Optional Accessories (must be ordered separately)	
Tripod Kit	TP-50
Cable	15P-02-9P
Cable with leads	15P-02-9P-FULL
Power Supply	PD-12UU series

Company and product names mentioned in this datasheet are trademarks or registered trademarks of their respective owners. JAI-A-S cannot be held responsible for any technical or typographical errors and reserves the right to make changes to products and documentation without prior notification.

<b>Europe, Middle East &amp; Africa</b> Phone +45 4457 8888 Fax +45 4491 3252	<b>Asia Pacific</b> Phone +81 45 440 0154 Fax +81 45 440 0166	<b>Americas</b> Phone (Toll-Free) 1 800 445 5444 Phone +1 408 383 0300
---	---	--

Visit our web site on [www.jai.com](http://www.jai.com)

