



# Non-RoHS **TM-770/TM-775 NIR/TM-773 NIR**



- **Monochrome**
- **1/3" NIR, 1/2" NIR, or 2/3" high resolution interline transfer CCD**
- **768 x 494 resolution @ 30 fps (EIA)**
- **Micro, rugged construction**
- **Shutter from 1/60 to 1/10,000 sec.**
- **RS-232 adjustable manual gain, selectable ALC modes , shutter, gamma and field/frame select**
- **External sync in**
- **Mount positionable on all four sides**
- **Single 15 D-sub connector for video, RS-232 and power**
- **Mirror Image, Horizontal-enable/disable capability**
- **3-axis control for lens control or pan/tilt**

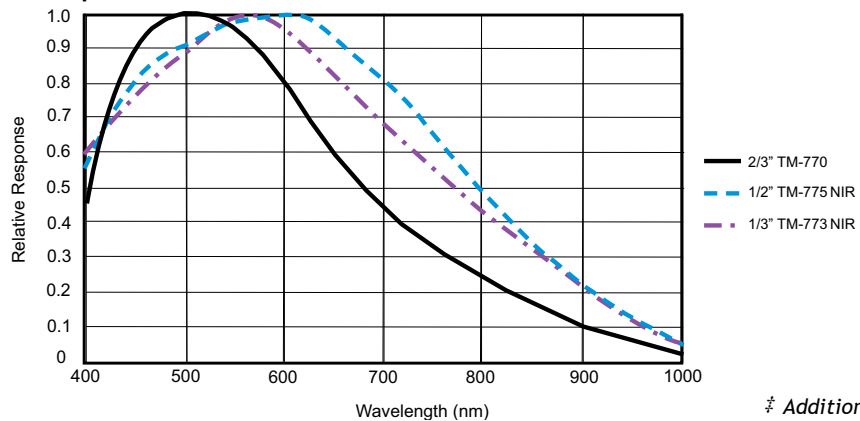
### Optional Configurations available ‡

OP1-5	ALC Auto Level Control selectable modes (EE and AGC) - Enable/Disable capability
OP2-5	Blemish Compensation
OP22-5-1	Extended temperature -40°C ~ +65°C (reduced performance may occur)
OP22-5-5	Conformal coat

### OEM Custom Modifications ‡

•	Mechanically designed to customer specifications available
•	MIL-STD requests

### Spectral Response

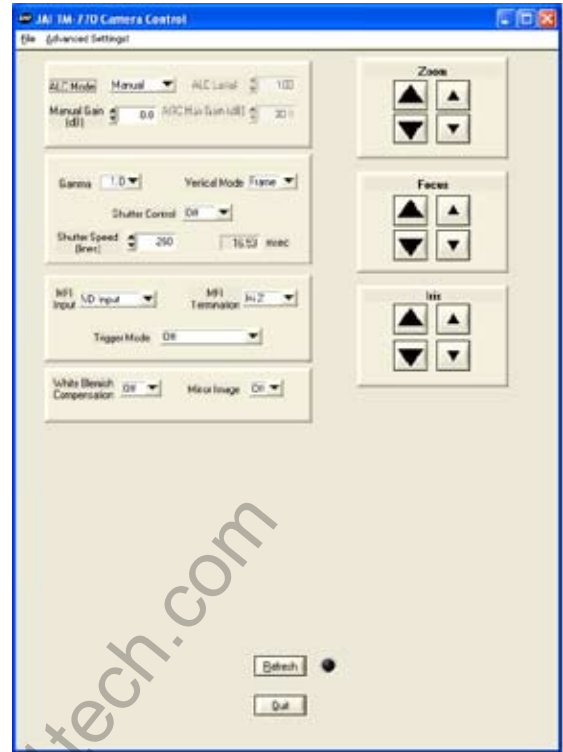


‡ Additional cost incurred

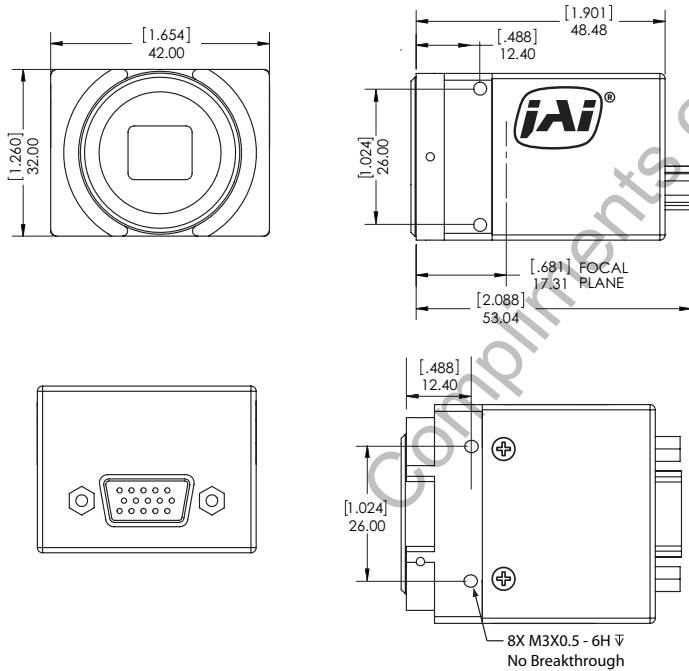
## Specifications

EIA Non-RoHS			
	TM-770	TM-775 NIR	TM-773 NIR
Sensor	2/3" interlace CCD ICX422AL	1/2" CCD NIR interlace ICX428AL	1/3" CCD NIR interlace ICX258AL
Active pixels	768 (H) x 494 (V)		
Chip size	10.25 mm x 8.5 mm	7.4 mm x 5.95 mm	6.0 mm x 4.96 mm
Cell size	11.6 μm x 13.5 μm	8.4 μm x 9.8 μm	6.35 μm x 7.4 μm
Scanning	525 lines / 60 Hz		
Synchronization	Internal/external auto switch HD/VD 4.0 Vp-p impedance 10K Ω VD = interlace/non-interlace HD = 15.73 kHz ± 5%		
TV resolution	570 (H) x 350 (V)		
S/N ratio	>55 dB min. (AGC Off)		
Sensitivity	0.08 lux (f=1.4)	0.05 lux (f=1.4)	0.10 lux (f=1.4)
Video output	1.0 Vp-p composite video, 75 Ω		
Gamma	0.45 / 1.0 (RS-232 controlled) 1.0 Factory Default		
Lens mount	C-mount (adjustable)		
Power requirement	12V DC, 150 mA typical at 25° C		
Operating temperature	-10° C to +50° C or OP22-5-1 -40° C to +65° C (reduced performance may occur)		
Storage temperature	-50° C to +70° C		
Vibration	7 Grms (20 Hz to 2000 Hz) Random		
Shock	70 G, 11 ms, half-sine		
Dimensions (H x W x L)	32 x 42 x 48.48 mm with mechanical enclosure 29.3 x 39.4 x 35.66 mm without mechanical enclosure		
Weight	113 g with mechanical enclosure 69 g without mechanical enclosure		

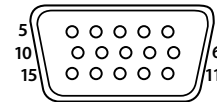
## Graphical User Interface (GUI)



## Dimensions



## Connectors



15-Pin Connector

1	+12 In	9	RX In
2	Video	10	GND
3	+12_IRIS	11	Auto Iris
4	Lens Cont1	12	Integrate
5	Lens Cont2	13	Ext HD
6	+12_Rtn	14	EXT VD/
7	GND	15	Multi-function
8	Lens Cont3		TX Out

## Ordering Information

Camera	
Lead Processing - Non-RoHS	TM-770, TM-775, TM-773
Optional Accessories (MUST BE ORDERED SEPARATELY)	
Tripod Kit	TP-30
Cable	15P-02-9P
Cable with Leads	15P-02-9P-FULL
Power Supply	PD-12UU

Europe, Middle East & Africa  
Phone +45 4457 8888  
Fax +45 4491 3252

Asia Pacific  
Phone +81 45 440 0154  
Fax +81 45 440 0166

JAI Inc.  
625 River Oaks Pkwy  
San Jose  
CA 95134  
USA

Phone +1 408-383-0300  
(toll-free) 1 800 445 5444  
Fax +1 408 383 0660



See the possibilities

www.jai.com