

## Linea Color™ 2K and 4K GigE Vision™ Color CMOS Line Scan Cameras

### High Performance Color GigE Camera with TurboDrive™



The new Linea Color line scan cameras deliver the exceptional performance and features found in Teledyne DALSA's current lineup of high-end cameras at an unprecedented price point.

Based on bilinear color CMOS technology, the Linea Color GigE cameras has a 2k or 4k, 7.04  $\mu\text{m}$  x 7.04  $\mu\text{m}$  pixel array, and a line rate up to 26 kHz. With excellent sensitivity and speed, Linea Color surpasses the requirements of demanding applications—such as food sorting, materials grading, web inspection, and general purpose machine vision.

The Linea Color cameras come complete with many attractive features, including configurable GPIO ports, Burst Mode and Meta Data per each line. The GigE models provide multiple ROI, and multiple user and calibration coefficients sets for various lighting conditions.

Our proprietary, patent pending, TurboDrive technology delivers high speed data transfer capability that breaks through the GigE limit. TurboDrive boosts data transfer speeds compared with standard GigE Vision speeds – with no loss of image quality.

#### Key Features

- Low cost
- Burst mode
- Compact
- Meta data per each line

#### Programmability

- Multiple Regions of Interest for calibration and data reduction
- 8 or 12 bit output, selectable
- Smart flat field and lens shading correction
- 4 programmable coefficient sets
- Configurable GPIO ports, timers and counters

#### Typical Applications

- Automated optical inspection
- High performance sorting systems
- Materials grading
- Web inspection
- General purpose machine vision

#### Regulatory Compliance

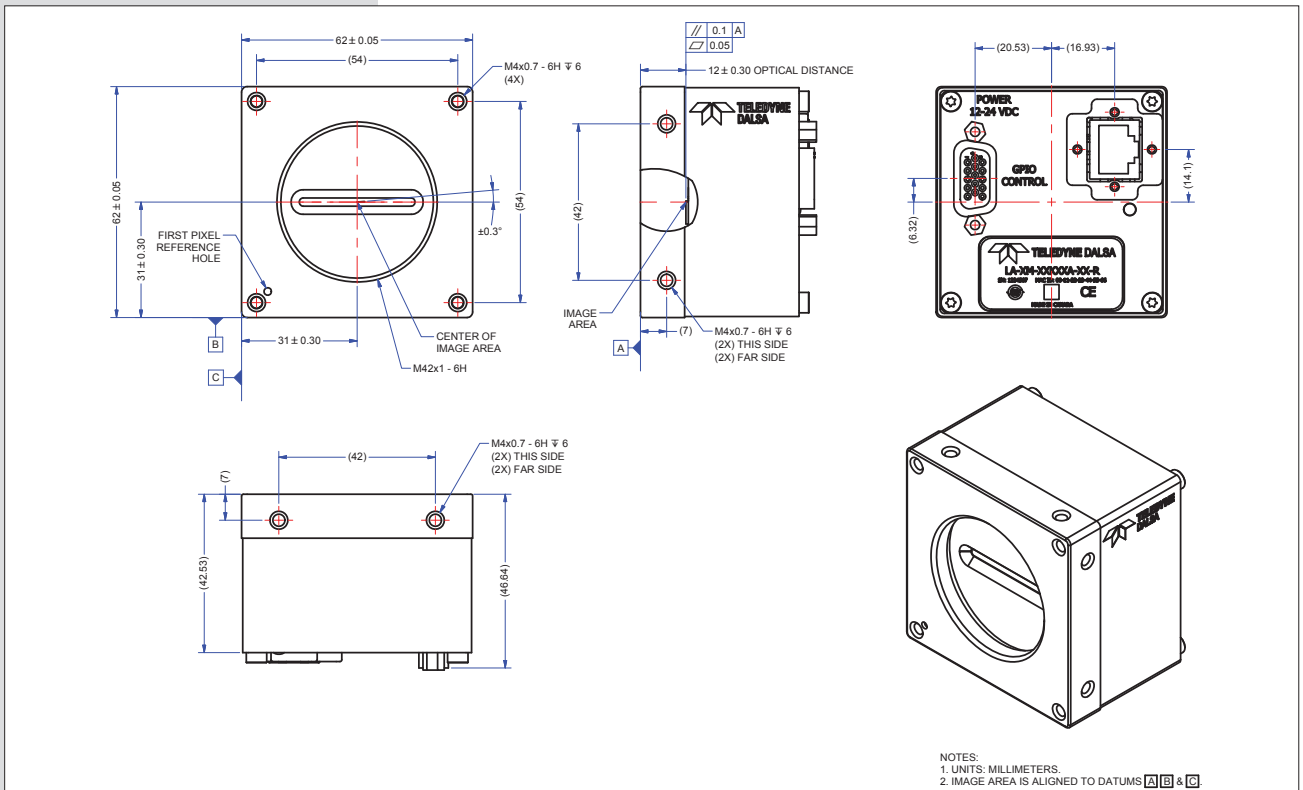
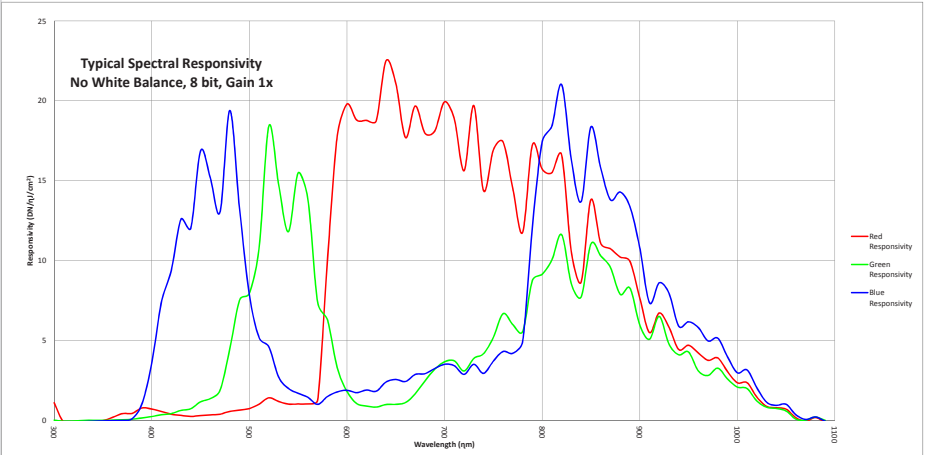
- CE, FCC and RoHS

#### Specifications

Resolution	2048 x 2 or 4096 x 2 pixels
Line Rate	Up to 26 kHz (without TurboDrive)
Pixel Size	7.04 $\mu\text{m}$ x 7.04 $\mu\text{m}$
Data Format	8 or 12 bit selectable
Output	Gigabit Ethernet
Lens Mount	M42 x 1, C and F-mount adapters available
Responsivity	See graph
Dynamic Range	> 60 dB
Nominal Gain Range	10x
Size	62 mm x 62 mm x 46.7 mm
Mass	< 280 g
Operating Temp	0 °C to 65 °C (front plate)
Power	12 V to 24 V DC, HD15 connector (shared with I / O)
Power Dissipation	< 8 W
I / O	HD15 connector
Software Platform	GigE Vision v1.2 compliant Teledyne DALSA Sapera LT or 3rd party GenICam™ compliant SDK

Models			
Part Number	Resolution	Maximum Line Rates*	Pixel Size
LA-GC-02K05B-00-R	2048 x 2	26 kHz, standard	7.04 $\mu\text{m}$ x 7.04 $\mu\text{m}$
LA-GC-04K05B-00-R	4096 x 2	13 kHz, standard	7.04 $\mu\text{m}$ x 7.04 $\mu\text{m}$

## Linea Color™ 2K and 4K GigE Vision™ CMOS Line Scan Cameras



[www.teledynedalsa.com](http://www.teledynedalsa.com)

**Americas**  
Boston, USA  
+1 978-670-2000  
sales.americas@teledynedalsa.com

**Europe**  
Krailling, Germany  
+49 89-89-54-57-3-80  
sales.europe@teledynedalsa.com

**Asia Pacific**  
Tokyo, Japan  
+81 3-5960-6353  
sales.asia@teledynedalsa.com

Shanghai, China  
+86 21-6427-9081  
sales.asia@teledynedalsa.com